

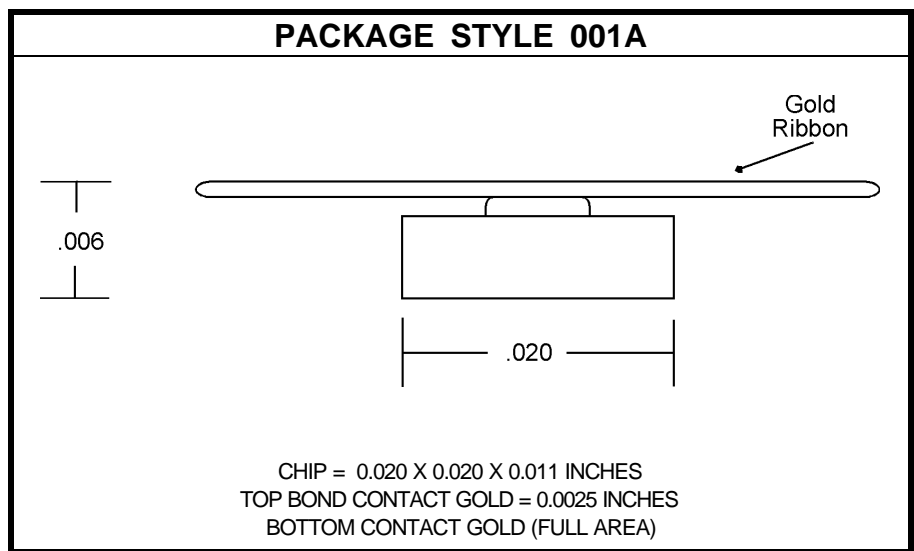
SILICON PIN DIODE CHIP

DESCRIPTION:

The **ASI 5082-0001** is a Silicon Dioxide Passivated PIN Diode Chip Designed for MIC Circuit Applications.

MAXIMUM RATINGS

I	100 mA
V	70 V
P_{DISS}	250 mW @ T _C = 25 °C
T_J	-65 °C to +150 °C
T_{STG}	-65 °C to +150 °C
T_{SOLD}	t ≤ 1.0 MINUTE +300 °C


CHARACTERISTICS T_C = 25 °C

SYMBOL	TEST CONDITIONS	MINIMUM	TYPICAL	MAXIMUM	UNITS
V _B	I _R = 10 μA	70			V
C _J	V _R = 20 V f = 1.0 MHz			0.16	pF
R _S	I _F = 20 mA f = 100 MHz		0.8		Ohms
t	I _F = 10 mA I _R = 6.0 mA		35		mS
t _{rr}	I _F = 20 mA V _R = 10 V		5.0		mS