

ST2552N

(Previously STN3264)

Pull Type Tubular Solenoid

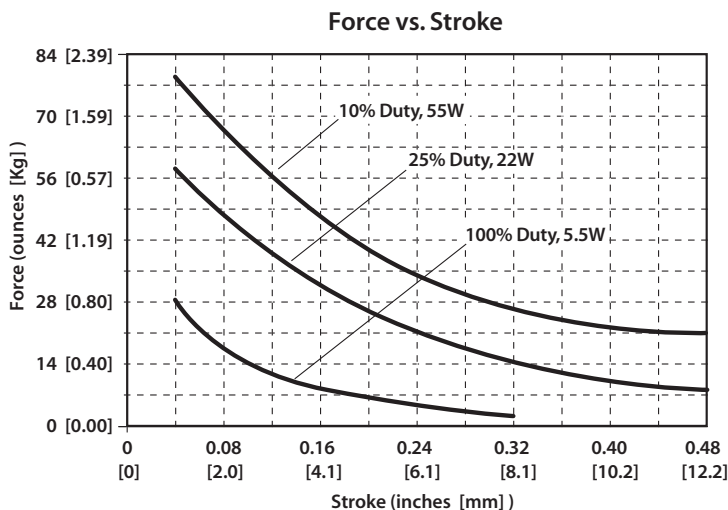
1.0" Dia. × 2.05" L
(25.4mm × 52mm)



Specifications:

- Operation: Pull
- Insulation: Class "A" (105°C) standard*
- Coil Termination: 20 AWG flying leads per drawing*
- Plunger linkage: Slot & cross-drilled*
- Plunger pole face: 60° conical*
- Solenoid weight: 5.8oz [165g]
- Plunger weight: 1.6oz [46g]
- Dielectric Strength: 1000VAC for one minute
- Operating temperature range: -20°C to 40°C

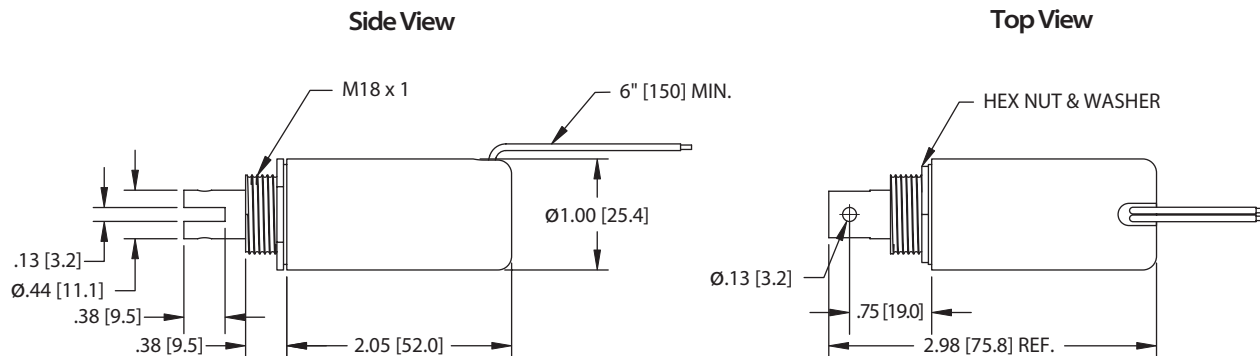
*Other options available upon request



Coil Data:

Voltage (VDC)	100% Duty — 5.5W		25% Duty — 22W		10% Duty — 55W	
	Resistance (Ω)	Part Number	Resistance (Ω)	Part Number	Resistance (Ω)	Part Number
3	1.6	ST2552N0300	0.4	ST2552N0325	0.16	ST2552N0310
6	6.5	ST2552N0600	1.6	ST2552N0625	0.65	ST2552N0610
12	26.2	ST2552N1200	6.5	ST2552N1225	2.6	ST2552N1210
24	105	ST2552N2400	26.2	ST2552N2425	10.5	ST2552N2410

Typical force @20°C and nominal rated DC voltage. Resistance values ±10% @20°C. All data subject to change. Other voltages and duty cycles available upon request.



Notes: Solenoid shown in energized position. Dimensions listed are for reference only. Dimensions shown in inches and [mm].