

## SPECIFICATIONS

Electrical Ratings	50mA @ 48VDC
Electrical Life	100,000 cycles typical
Contact Resistance	< 50 mΩ initial
Actuation Force	100 +/- 50gF 160 +/- 30gF 260 +/- 50gF
Actuator Travel	.25 +/- .1mm
Dielectric Strength	1000Vrms min
Insulation Resistance	> 1000MΩ min
Operating Temperature	-40°C to 85°C
Storage Temperature	-40°C to 85°C



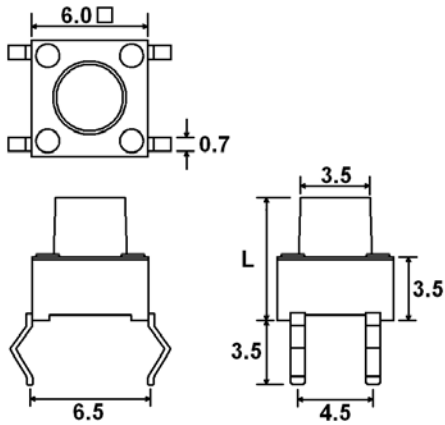
## MATERIALS ←RoHS COMPLIANT

Actuator	6/6 Nylon
Housing	6/6 Nylon
Cover	Polyester
Contacts	Phosphor Bronze, Silver Plated
Terminals	Brass, Silver Plated

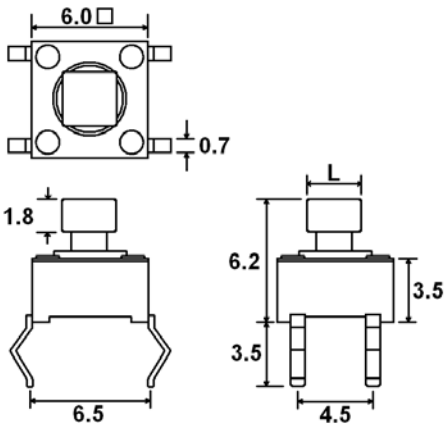
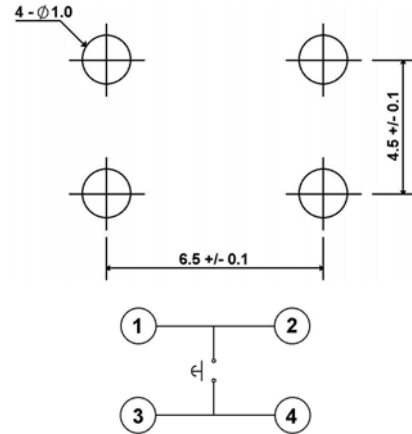
## ORDERING INFORMATION

<b>1. Series:</b>	<b>CT1102</b>	<b>5.0</b>	<b>F160</b>	<b>C053</b>
CT1102 = Standard CT1102P = w/ grounding pin				
<b>2. Actuator Length "L" (mm):</b>				
4.3				
5.0				
7.0				
7.5				
8.0				
9.5				
11.0				
11.5				
12.0				
13.0				
14.5				
15.0				
17.0				
S2.4 Square actuator head				
S2.8 Square actuator head				
<b>3. Actuation Force:</b>				
F100 = 100gF				
F160 = 160gF				
F260 = 260gF				
<b>4. Cap Options:</b>	<b>Cap Colors:</b>			
Blank = No Cap				
C01	** See Cap Options for color availability			
C02	** Caps available with S2.8 actuator only			
C03				
C04				
C05				

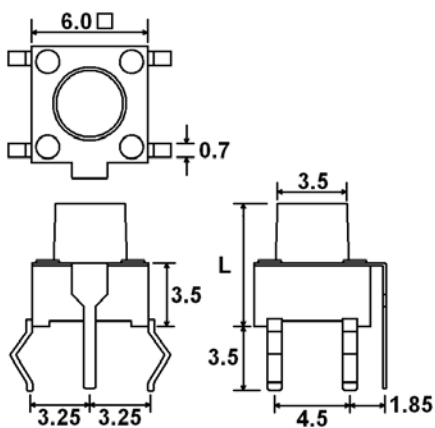
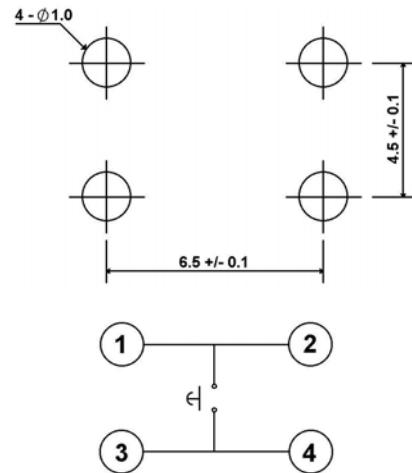
## DIMENSIONS



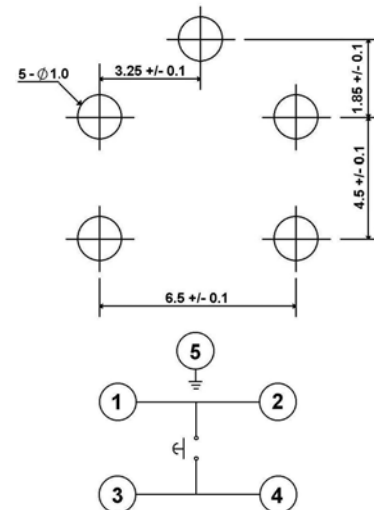
Part Number	"L" (mm)
CT11024.3	4.3
CT11025.0	5.0
CT11027.0	7.0
CT11027.5	7.5
CT11028.0	8.0
CT11029.5	9.5
CT110211.0	11.0
CT110211.5	11.5
CT110212.0	12.0
CT110213.0	13.0
CT110214.5	14.5
CT110215.0	15.0
CT110217.0	17.0



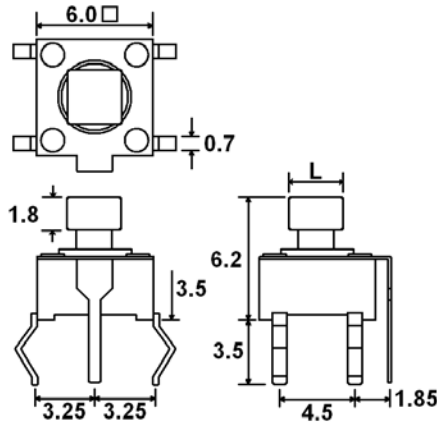
Part Number	"□" (mm)
CT1102S2.4	2.4
CT1102S2.8	2.8



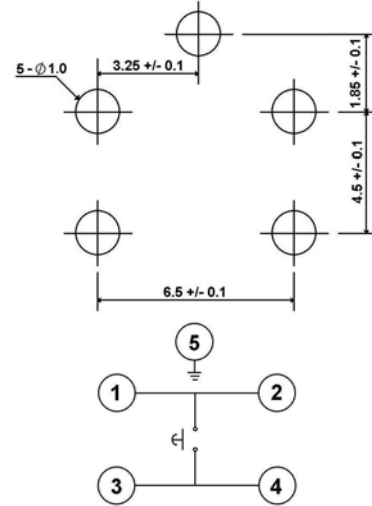
Part Number	"L" (mm)
CT1102P4.3	4.3
CT1102P5.0	5.0
CT1102P7.0	7.0
CT1102P7.5	7.5
CT1102P8.0	8.0
CT1102P9.5	9.5
CT1102P11.0	11.0
CT1102P11.5	11.5
CT1102P12.0	12.0
CT1102P13.0	13.0
CT1102P14.5	14.5
CT1102P15.0	15.0
CT1102P17.0	17.0




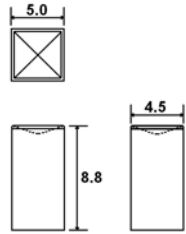

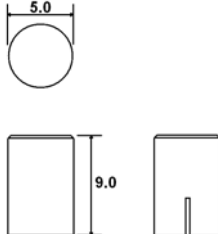

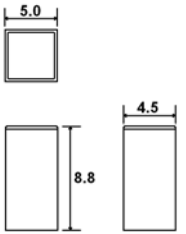
## DIMENSIONS


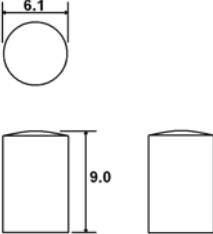

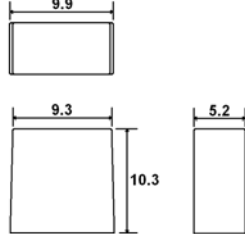


Part Number	"□" (mm)
CT1102PS2.4	2.4
CT1102PS2.8	2.8



## CAP OPTIONS ←FOR S2.8 ACTUATOR

					
<p><b>C01_</b> 1 = White, 2 = Black, 3 = Red, 9 = Light Gray Contact Factory for other available colors</p>		<p><b>C02_</b> 1 = White, 2 = Black, 3 = Red, 9 = Light Gray Contact Factory for other available colors</p>		<p><b>C03_</b> 1 = White, 2 = Black, 3 = Red, 9 = Light Gray Contact Factory for other available colors</p>	

			
<p><b>C04_</b> 1 = White, 2 = Black, 3 = Red, 9 = Light Gray Contact Factory for other available colors</p>		<p><b>C05_</b> 1 = White, 2 = Black, 3 = Red, 9 = Light Gray Contact Factory for other available colors</p>	