

Distributor: [Electro-Stock www.electrostock.com](http://www.electrostock.com) Tel: 630-682-1542 Fax: 630-682-1562

FEATURES:

- Switching capacity up to 20A
- Small size and light weight
- Dual relay available
- Low coil power consumption
- Suitable for automobile and consumer electronics applications



17.8 x 9.6(17.0) x 13.2mm

CONTACT DATA

Contact Arrangement	1A = SPST N.O. 1C = SPDT 2A = (2) SPST N.O. 2C = (2) SPDT
Contact Rating	20A @ 14VDC N.O. 15A @ 14VDC N.C.
Contact Resistance	< 50 milliohms initial
Contact Material	AgSnO ₂
Maximum Switching Power	280W
Maximum Switching Voltage	40VDC
Maximum Switching Current	20A

COIL DATA

Coil Voltage VDC		Coil Resistance Ω ± 10%		Pick Up Voltage VDC (max)	Release Voltage VDC (min)	Coil Power W	Operate Time ms	Release Time ms
Rated	Max.	0.6W	0.8W	75% of rated voltage	10% of rated voltage			
12	18	240	180	9.00	1.2	0.60 or 0.80	8	5

CAUTION:

1. The use of any coil voltage less than the rated coil voltage may compromise the operation of the relay.
2. Pickup and release voltages are for test purposes only and are not to be used as design criteria.

GENERAL DATA

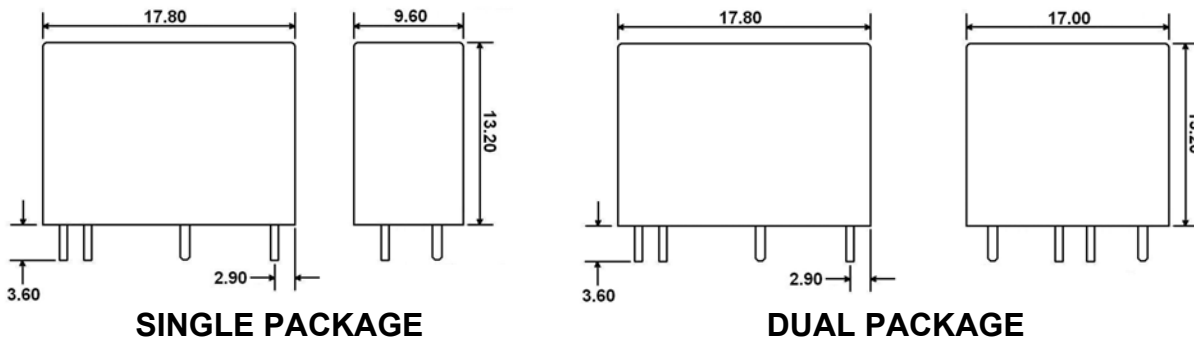
Electrical Life @ rated load	100K cycles, typical
Mechanical Life	10M cycles, typical
Insulation Resistance	100MΩ min @ 500VDC
Dielectric Strength, Coil to Contact	500V rms min. @ sea level
Contact to Contact	500V rms min. @ sea level
Shock Resistance	300m/s ² for 11ms
Vibration Resistance	1.50mm double amplitude 10-40Hz
Terminal (Copper Alloy) Strength	5N
Operating Temperature	-40 °C to + 85 °C
Storage Temperature	-40 °C to + 155 °C
Solderability	230 °C ± 2 °C for 10 ± 0.5s
Weight	5g, 10g

Distributor: **Electro-Stock** www.electrostock.com Tel: 630-682-1542 Fax: 630-682-1562

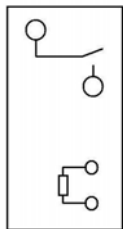
ORDERING INFORMATION

1. Series:	CTA11	2C	S	12VDC	.80
CTA11					
2. Contact Arrangement:					
1A = SPST N.O.					
1C = SPDT					
2A = (2) SPST N.O.					
2C = (2) SPDT					
3. Sealing Options:					
S = Sealed					
C = Dust Cover					
5. Coil Voltage:					
12VDC					
6. Coil Power:					
.60 = 0.60W					
.80 = 0.80W					

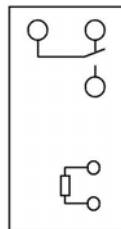
DIMENSIONS (Units = mm)



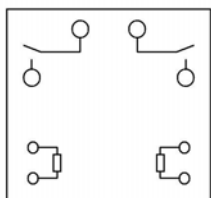
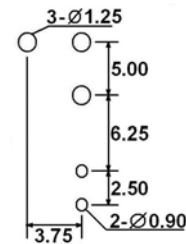
SCHEMATICS & PC LAYOUTS (BOTTOM VIEWS)



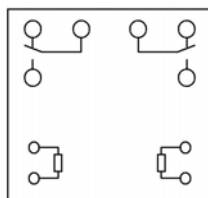
1A



1C



2A



2C

