



# Series CMD24/CMA24

25-125Amp • 240 Vac • AC Output

- **Zero Voltage and Random Turn-On Switching**
- **Panel Mount**
- **Status Indicating LED**
- **DC or AC Control**
- **Integrated Overvoltage Protection by Automatic Self Turn-On (Suffix P)**

Featuring state-of-the-art Surface Mount Technology, these SPST-NO relays deliver proven reliability in the most demanding applications. Output consists of an SCR AC switch and is available in zero-cross or random turn-on versions. Manufactured in Crydom's ISO 9001 Certified facility for optimum product performance and reliability.

MODEL NUMBERS	CMD2425 CMA2425	CMD2450 CMA2450	CMD2475 CMA2475	CMD2490 CMA2490	CMD24110 CMA24110	CMD24125 CMA24125
<b>OUTPUT SPECIFICATIONS</b> <sup>①</sup>						
Operating Voltage (47-63 Hz) [Vrms]	24-280	24-280	24-280	24-280	24-280	24-280
Max. Load Current <sup>③</sup> [Arms]	25	50	75	90	110	125
Min. Load Current, [Arms]	0.15	0.15	0.25	0.25	0.25	0.25
Transient Overvoltage [Vpk]	600	600	600	600	600	600
Max. Surge Current, (16.6ms) [Apk]	250	625	1000	1200	1500	1750
Max. On-State Voltage Drop @ Rated Current [Vpk]	1.6	1.6	1.6	1.6	1.6	1.6
Thermal Resistance Junction to Case (R <sub>θJC</sub> ) [°C/W]	1.02	0.63	0.31	0.28	0.25	0.22
Maximum I <sup>2</sup> t for Fusing, (8.3 msec.) [A <sup>2</sup> sec]	260	1620	4150	6000	9340	12700
Max. Off-State Leakage Current @ Rated Voltage [mArms]	10	10	10	10	10	10
Min. Off-State dv/dt @ Max. Rated Voltage [V/μsec] <sup>②</sup>	500	500	500	500	500	500
Max. Turn-On Time <sup>④</sup>	1/2 Cycle (DC Control), 10.0 msec (AC Control)					
Max. Turn-Off Time	1/2 Cycle (DC Control), 40.0 msec (AC Control)					
Power Factor (Min.) with Max. Load	0.5	0.5	0.5	0.5	0.5	0.5

INPUT SPECIFICATIONS	DC CONTROL	AC CONTROL
Control Voltage Range	3-32 Vdc	90-140 Vrms
Max. Reverse Voltage	32 Vdc	—
Max. Turn-On Voltage	3.0 Vdc	90 Vrms
Min. Turn-Off Voltage	1.0 Vdc	10 Vrms
Max. Input Current	30.0mA <sup>⑤</sup>	—
Typical Input Current	17mA @ 5 Vdc	15mA @ 120 Vrms

## GENERAL NOTES

- ① All parameters at 25°C unless otherwise specified.
- ② Off-State dv/dt test method per EIA/NARM standard RS-443, paragraph 13.11.1
- ③ HEAT SINKING REQUIRED, for derating curves see page 2.
- ④ Turn-on time for DC control random turn-on versions is 0.02msec.
- ⑤ Input circuitry incorporates active current limiter.

## GENERAL SPECIFICATIONS

Dielectric Strength 50/60Hz Input/Output/Base	4000 Vrms
Insulation Resistance (Min.) @ 500 Vdc	10 <sup>9</sup> Ohm
Max. Capacitance Input/Output	8 pF
Ambient Operating Temperature Range	-40 to 80°C
Ambient Storage Temperature Range	-40 to 125°C
Status Indicating Display	Green LED

## MECHANICAL SPECIFICATIONS

Weight: (typical)	3.0 oz. (86.5g)
Encapsulation:	Thermally Conductive Epoxy
Terminals:	Cage Type
Maximum Wire Size- Output: AWG 8 (3.8mm) Input: AWG12 (2.5mm)	
Max. Terminal Screw Torque: Output: 8.9 in lb (1.0 Nm) Input: 5.3 in lb (0.6 Nm)	

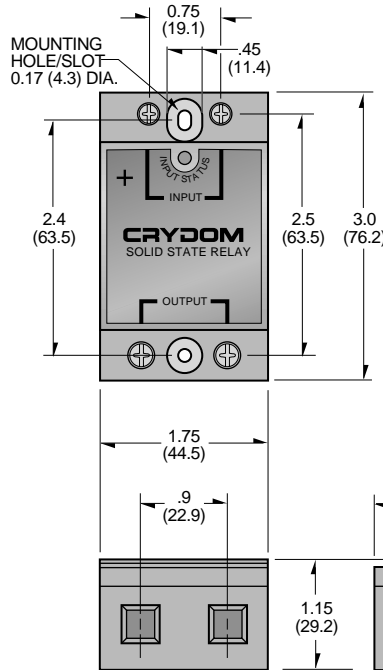
© 2001 CRYDOM CORP. Specifications subject to change without notice.





# Series CMD24/CMA24

25-125Amp • 240 Vac • AC Output



## MECHANICAL SPECIFICATIONS

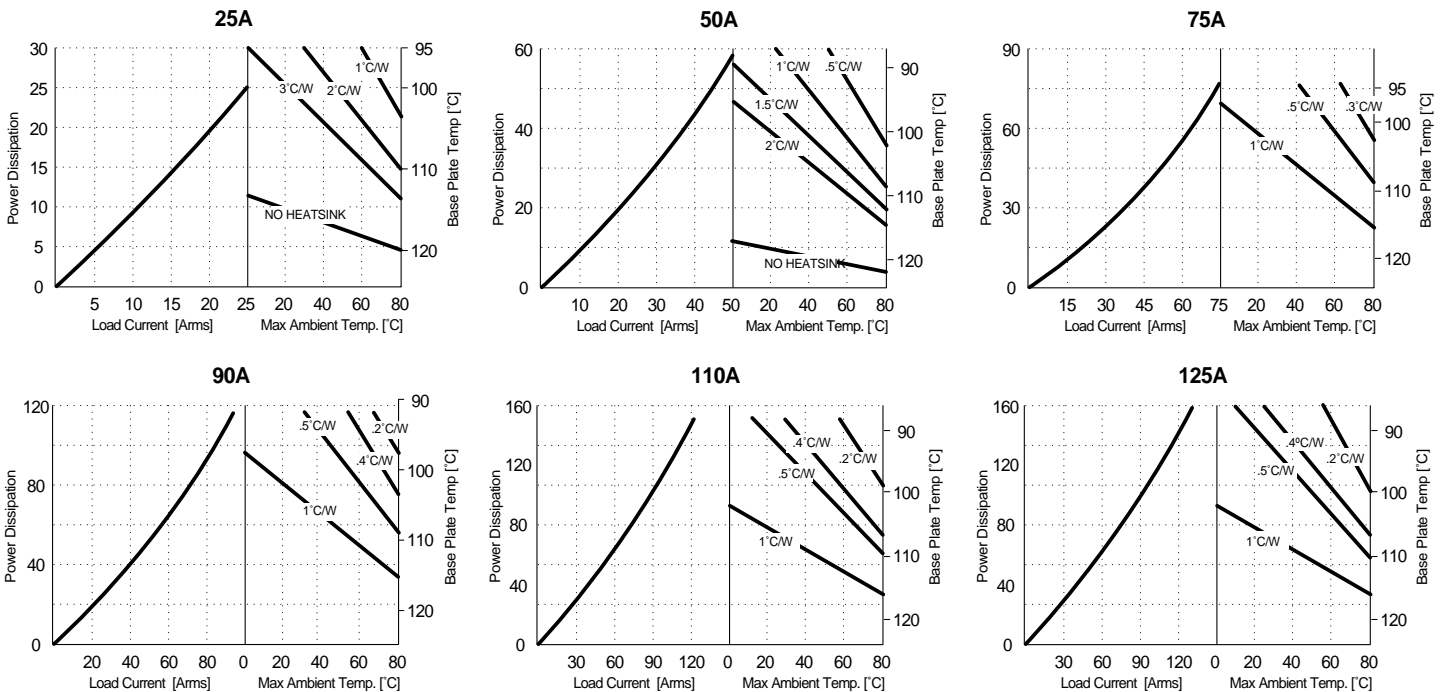
All dimensions are in inches (millimeters)

**CMRD24/CMRA24** available with factory mounted heat sink and DIN rail mounting clip. Specifications available via FastFax, request document No. 171.

## AVAILABLE OPTIONS

- 10** Random Turn-On, Phase Controllable  
Example: **CMD2450-10**
- E** 24 Vac Input (18-36 Vac)  
Example: **CMA2450E**
- P** Internal Overvoltage Protection  
Relay Will Self Trigger Between  
450-600 Vpk. Not Suitable For Capacitive Loads  
Example: **CMD2450P**

## CURRENT DERATING CURVES



© 2001 CRYDOM CORP, Specifications subject to change without notice.

## APPROVALS

UL E116949  
CSA LR81689  
VDE 126921 UG

FastFax Document No. 170  
SERIES CMD/CMA.  
Rev. 012102  
PAGE 2 OF 6

For recommended applications and more information contact:

**USA: Sales Support** (877) 502-5500 **Tech Support** (877) 702-7700 **FAX** (619) 710-8540

Crydom Corp, 2320 Paseo de las Americas, Ste. 201, San Diego, CA 92154

**Email:** sales@crydom.com **WEB SITE:** http://www.crydom.com

**UK:** +44 (0)1202 365070 • **FAX** +44 (0)1202 365090 Crydom International Ltd., 7 Cobham

Road, Ferndown Industrial Estate, Ferndown, Dorset BH21 7PE, **Email:** intsales@crydom.com.

**GERMANY:** +49 (0)180 3000 506





# Series CMD48/CMA48

25-125Amp • 480 Vac • AC Output

- **Zero Voltage and Random Turn-On Switching**
- **Panel Mount**
- **Status Indicating LED**
- **DC or AC Control**
- **Integrated Overvoltage Protection by Automatic Self Turn-On (Suffix P)**

Featuring state-of-the-art Surface Mount Technology, these SPST-NO relays deliver proven reliability in the most demanding applications. Output consists of an SCR AC switch and is available in zero-cross or random turn-on versions.

Manufactured in Crydom's ISO 9001 Certified facility for optimum product performance and reliability.

MODEL NUMBERS	CMD4825 CMA4825	CMD4850 CMA4850	CMD4875 CMA4875	CMD4890 CMA4890	CMD48110 CMA48110	CMD48125 CMA48125
<b>OUTPUT SPECIFICATIONS</b> ①						
Operating Voltage (47-63 Hz) [Vrms]	48-530	48-530	48-530	48-530	48-530	48-530
Max. Load Current ③ [Arms]	25	50	75	90	110	125
Min. Load Current, [Arms]	0.15	0.15	0.25	0.25	0.25	0.25
Transient Overvoltage [Vpk]	1200	1200	1200	1200	1200	1200
Max. Surge Current, (16.6ms) [Apk]	250	625	1000	1200	1500	1750
Max. On-State Voltage Drop @ Rated Current [Vpk]	1.7	1.7	1.7	1.7	1.7	1.7
Thermal Resistance Junction to Case (R <sub>θJC</sub> ) [° C/W]	1.02	0.63	0.31	0.28	0.25	0.22
Maximum I <sup>2</sup> t for Fusing, (8.3 msec.) [A <sup>2</sup> sec]	260	1620	4150	6000	9340	12700
Max. Off-State Leakage Current @ Rated Voltage [mArms]	10	10	10	10	10	10
Min. Off-State dv/dt @ Max. Rated Voltage [V/μsec] ②	500	500	500	500	500	500
Max. Turn-On Time ④	1/2 Cycle (DC Control), 10.0 msec (AC Control)					
Max. Turn-Off Time	1/2 Cycle (DC Control), 40.0 msec(AC Control)					
Power Factor (Min.) with Max. Load	0.5	0.5	0.5	0.5	0.5	0.5

INPUT SPECIFICATIONS	DC CONTROL	AC CONTROL
Control Voltage Range	4-32 Vdc	90-140 Vrms
Max. Reverse Voltage	32 Vdc	—
Max. Turn-On Voltage	4.0 Vdc	90 Vrms
Min. Turn-Off Voltage	1.0 Vdc	10 Vrms
Max. Input Current	30.0mA ⑤	—
Typical Input Current	14mA @ 5 Vdc 15mA @ 120 Vrms	

## GENERAL NOTES

- ① All parameters at 25° C unless otherwise specified.
- ② Off-State dv/dt test method per EIA/NARM standard RS-443, paragraph 13.11.1
- ③ HEAT SINKING REQUIRED, for derating curves see page 2.
- ④ Turn-on time for DC control random turn-on versions is 0.02msec.
- ⑤ Input circuitry incorporates active current limiter.

## GENERAL SPECIFICATIONS

Dielectric Strength 50/60Hz Input/Output/Base	4000 Vrms
Insulation Resistance (Min.) @ 500 Vdc	10 <sup>9</sup> Ohm
Max. Capacitance Input/Output	8 pF
Ambient Operating Temperature Range	-40 to 80°C
Ambient Storage Temperature Range	-40 to 125°C
Status Indicating Display	Green LED

## MECHANICAL SPECIFICATIONS

Weight: (typical)	3.0 oz. (86.5g)
Encapsulation:	Thermally Conductive Epoxy
Terminals:	Cage Type
Maximum Wire Size- Output: AWG 8 (3.8mm) Input: AWG12 (2.5mm)	
Max. Terminal Screw Torque: Output: 8.9 in lb (1.0 Nm) Input: 5.3 in lb (0.6 Nm)	

© 2001 CRYDOM CORP, Specifications subject to change without notice.

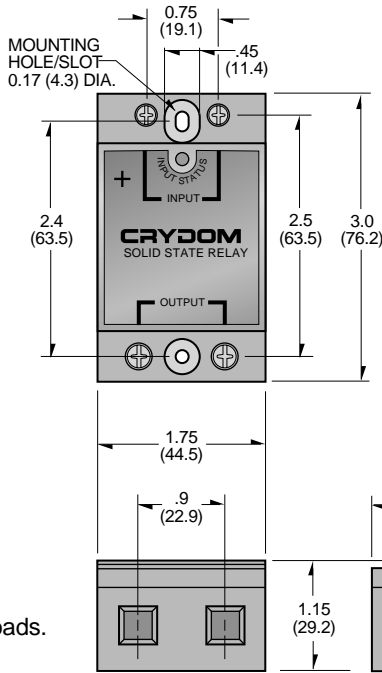
For recommended applications and more information contact:  
**USA: Sales Support (877) 502-5500 Tech Support (877) 702-7700 FAX (619) 710-8540**  
 Crydom Corp, 2320 Paseo de las Americas, Ste. 201, San Diego, CA 92154  
**Email:** sales@crydom.com **WEB SITE:** http://www.crydom.com  
**UK:** +44 (0)1202 365070 • **FAX** +44 (0)1202 365090 Crydom International Ltd., 7 Cobham Road, Ferndown Industrial Estate, Ferndown, Dorset BH21 7PE, **Email:** intsales@crydom.com.  
**GERMANY:** +49 (0)180 3000 506





# Series CMD48/CMA48

25-125Amp • 480 Vac • AC Output



## MECHANICAL SPECIFICATIONS

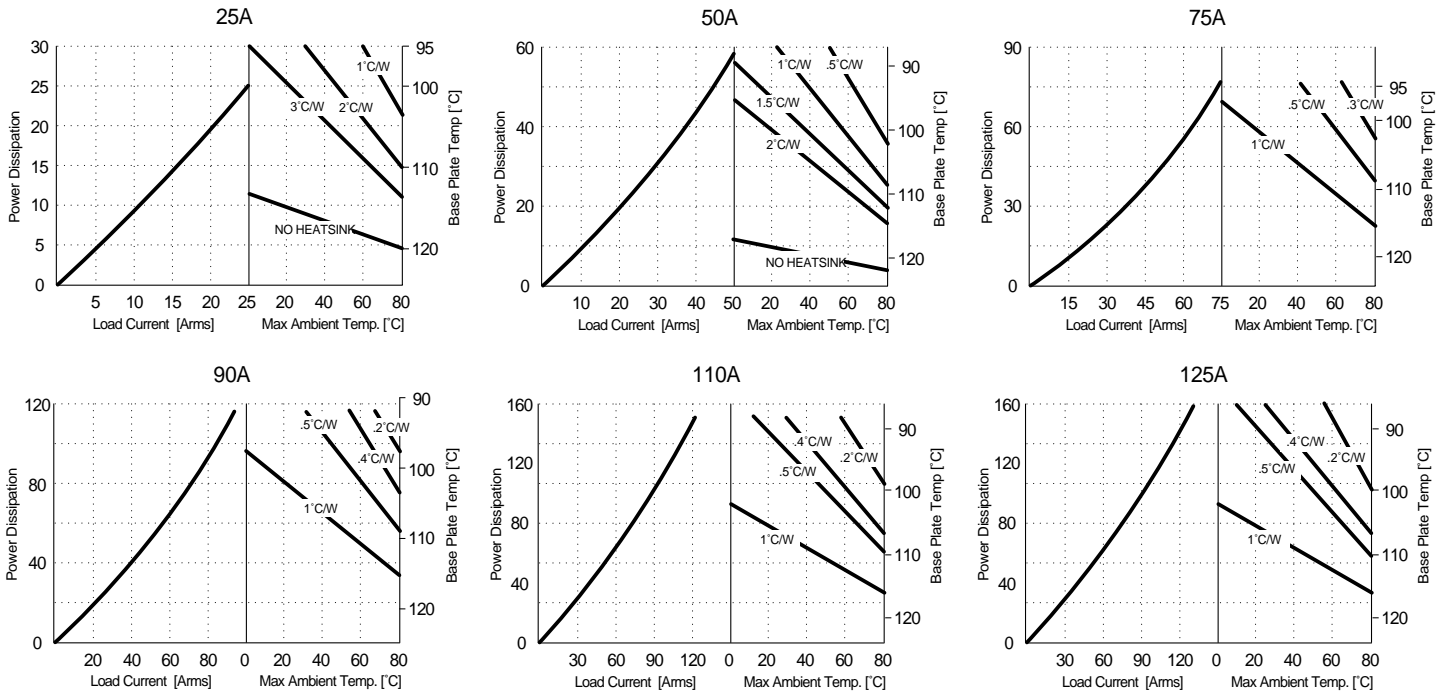
All dimensions are in inches (millimeters)

**CMRD48/CMRA48** available with factory mounted heat sink and DIN rail mounting clip. Specifications available via FastFax, request document No. 171.

## AVAILABLE OPTIONS

- 10** Random Turn-On, Phase Controllable  
Example: **CMD4850-10**
- E** 24 Vac Input (18-36 Vac)  
Example: **CMA4850E**
- P** Internal Overvoltage Protection.  
Relay Will Self Trigger Between 900-1200Vpk. Not suitable For Capacitive Loads.  
Example: **CMD4850P**

## CURRENT DERATING CURVES



## APPROVALS

UL E116949  
CSA LR81689  
VDE 126921 UG



© 2001 CRYDOM CORP, Specifications subject to change without notice.

FastFax Document No. 170  
SERIES CMD/CMA.  
Rev. 012102  
PAGE 4 OF 6

For recommended applications and more information contact:  
**USA: Sales Support (877) 502-5500 Tech Support (877) 702-7700 FAX (619) 710-8540**  
 Crydom Corp, 2320 Paseo de las Americas, Ste. 201, San Diego, CA 92154  
**Email:** sales@crydom.com **WEB SITE:** http://www.crydom.com  
**UK:** +44 (0)1202 365070 • **FAX** +44 (0)1202 365090 Crydom International Ltd., 7 Cobham Road, Ferndown Industrial Estate, Ferndown, Dorset BH21 7PE, **Email:** intsales@crydom.com.  
**GERMANY:** +49 (0)180 3000 506



# Series CMD60/CMA60

25-125Amp • 600 Vac • AC Output

## CRYDOM

Control over power

- Zero Voltage and Random Turn-On Switching
- Panel Mount
- Status Indicating LED
- DC or AC Control
- Integrated Overvoltage Protection by Automatic Self Turn-On (Suffix P)

Featuring state-of-the-art Surface Mount Technology, these SPST-NO relays deliver proven reliability in the most demanding applications. Output consists of an SCR AC switch and is available in zero-cross or random turn-on versions.

Manufactured in Crydom's ISO 9001 Certified facility for optimum product performance and reliability.

MODEL NUMBERS OUTPUT SPECIFICATIONS ①	CMD6025 CMA6025	CMD6050 CMA6050	CMD6075 CMA6075	CMD6090 CMA6090	CMD60110 CMA60110	CMD60125 CMA60125
Nominal Line Voltage ( ±10%) [Vrms]	600	600	600	600	600	600
Operating Voltage (47-63 Hz) [Vrms]	48-660	48-660	48-660	48-660	48-660	48-660
Max. Load Current ③ [Arms]	25	50	75	90	110	125
Min. Load Current, [Arms]	0.15	0.15	0.25	0.25	0.25	0.25
Transient Overvoltage [Vpk]	1200	1200	1200	1200	1200	1200
Max. Surge Current, (16.6ms) [Apk]	250	625	1000	1200	1500	1750
Max. On-State Voltage Drop @ Rated Current [Vpk]	1.7	1.7	1.7	1.7	1.7	1.7
Thermal Resistance Junction to Case (R <sub>θJC</sub> ) [°C/W]	1.02	0.63	0.31	0.28	0.25	0.22
Maximum I <sup>2</sup> t for Fusing, (8.3 msec.) [A <sup>2</sup> sec]	260	1620	4150	6000	9340	12700
Max. Off-State Leakage Current @ Rated Voltage [mArms]	1.0	1.0	1.0	1.0	1.0	1.0
Min. Off-State dv/dt @ Max. Rated Voltage [V/μsec] ②	500	500	500	500	500	500
Max. Turn-On Time ④	1/2 Cycle (DC Control), 10.0 msec (AC Control)					
Max. Turn-Off Time	1/2 Cycle (DC Control), 40.0 msec(AC Control)					
Power Factor (Min.) with Max. Load	0.5	0.5	0.5	0.5	0.5	0.5

INPUT SPECIFICATIONS ①	DC CONTROL	AC CONTROL
Control Voltage Range	4-32 Vdc	90-140 Vrms
Max. Reverse Voltage	32 Vdc	—
Max. Turn-On Voltage	4.0 Vdc	90 Vrms
Min. Turn-Off Voltage	1.0 Vdc	10 Vrms
Max. Input Current	30.0mA ⑤	—
Typical Input Current	14mA @ 5 Vdc	15mA @ 120 Vrms

### GENERAL NOTES

- ① All parameters at 25°C unless otherwise specified.
- ② Off-State dv/dt test method per EIA/NARM standard RS-443, paragraph 13.11.1
- ③ HEAT SINKING REQUIRED, for derating curves see page 2.
- ④ Turn-on time for DC control random turn-on versions is 0.02msec.
- ⑤ Input circuitry incorporates active current limiter.

### GENERAL SPECIFICATIONS

Dielectric Strength 50/60Hz Input/Output/Base	4000 Vrms
Insulation Resistance (Min.) @ 500 Vdc	10 <sup>9</sup> Ohm
Max. Capacitance Input/Output	8 pF
Ambient Operating Temperature Range	-40 to 80°C
Ambient Storage Temperature Range	-40 to 125°C
Status Indicating Display	Green LED

### MECHANICAL SPECIFICATIONS

Weight: (typical)	3.0 oz. (86.5g)
Encapsulation:	Thermally Conductive Epoxy
Terminals:	Cage Type
Maximum Wire Size- Output: AWG 8 (3.8mm) Input: Awg12 (2.5mm)	
Max. Terminal Screw torque: Output: 8.9 in lb (1.0 Nm) Input: 5.3 in lb (0.6 Nm)	

© 2001 CRYDOM CORP, Specifications subject to change without notice.



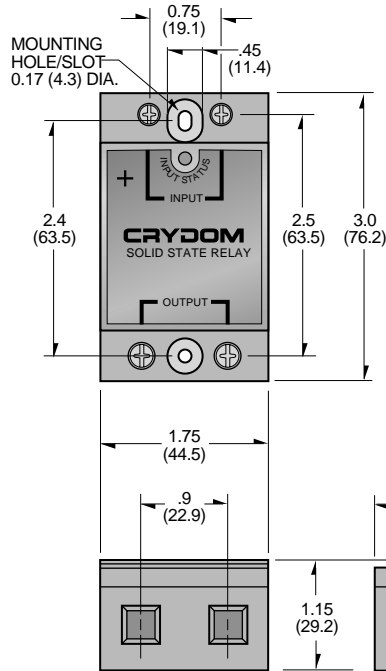
# Series CMD60/CMA60

25-125Amp • 600 Vac • AC Output



## AVAILABLE OPTIONS

- 10** Random Turn-On, Phase Controllable  
Example: **CMD6050-10**
- E** 24 Vac Input (18-36 Vac)  
Example: **CMA6050E**
- P** Internal Overvoltage Protection. Relay Will Self Trigger Between 900-1200Vpk. Not Suitable For Capacitive Loads.  
Example: **CMD6050P**

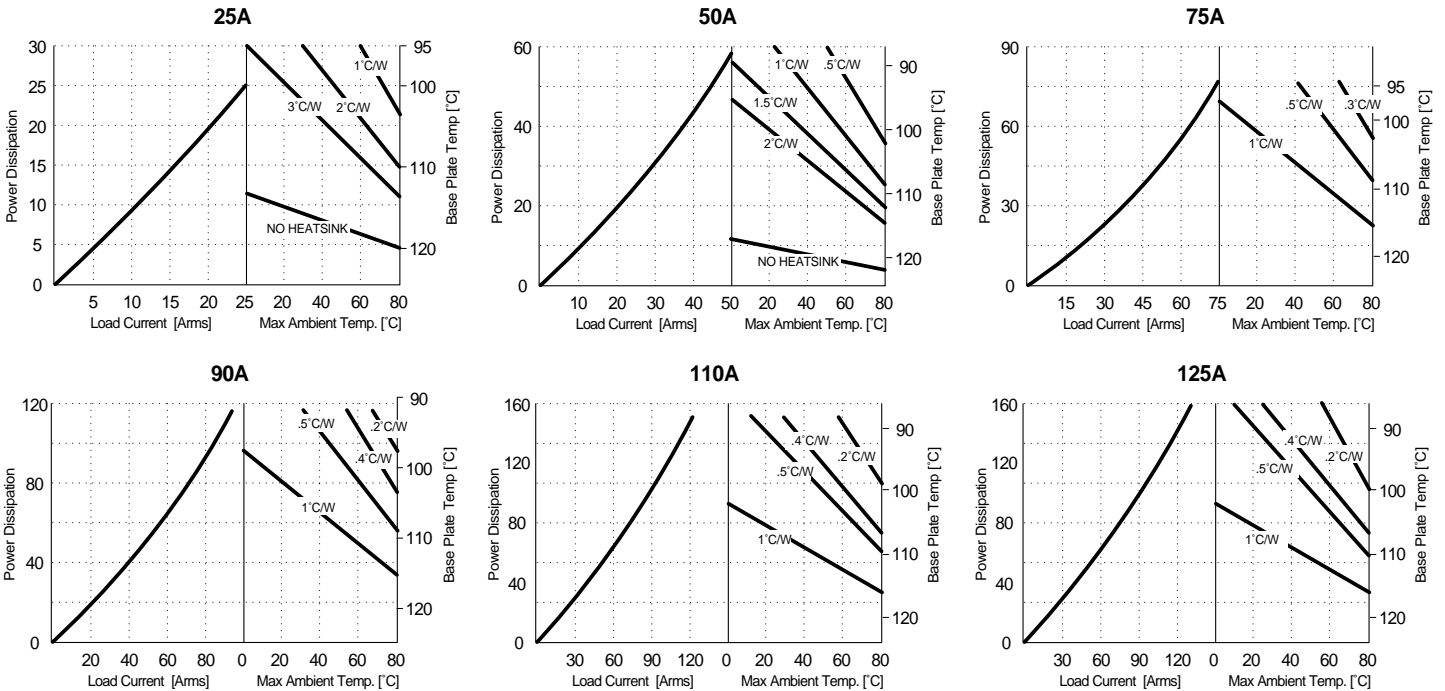


## MECHANICAL DIMENSIONS

All dimensions are in inches (millimeters)

**CMRD60/CMRA60** available with factory mounted heat sink and DIN rail mounting clip. Specifications available via FastFax, request document No. 171.

## CURRENT DERATING CURVES



© 2001 CRYDOM CORP, Specifications subject to change without notice.

## APPROVALS

UL E116949  
CSA LR81689  
VDE 126921 UG



FastFax Document No. 170  
SERIES CMD/CMA.  
Rev. 012102  
PAGE 6 OF 6

For recommended applications and more information contact:  
**USA: Sales Support** (877) 502-5500 **Tech Support** (877) 702-7700 **FAX** (619) 710-8540  
 Crydom Corp, 2320 Paseo de las Americas, Ste. 201, San Diego, CA 92154  
**Email:** sales@crydom.com **WEB SITE:** http://www.crydom.com  
**UK:** +44 (0)1202 365070 • **FAX** +44 (0)1202 365090 Crydom International Ltd., 7 Cobham Road, Ferndown Industrial Estate, Ferndown, Dorset BH21 7PE, **Email:** intsales@crydom.com.  
**GERMANY:** +49 (0)180 3000 506

