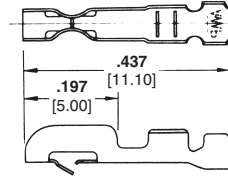


### Receptacle Connectors (Wire Applied)

#### Standard Type Receptacle Contacts

**Material:**

Pre-Tin Brass



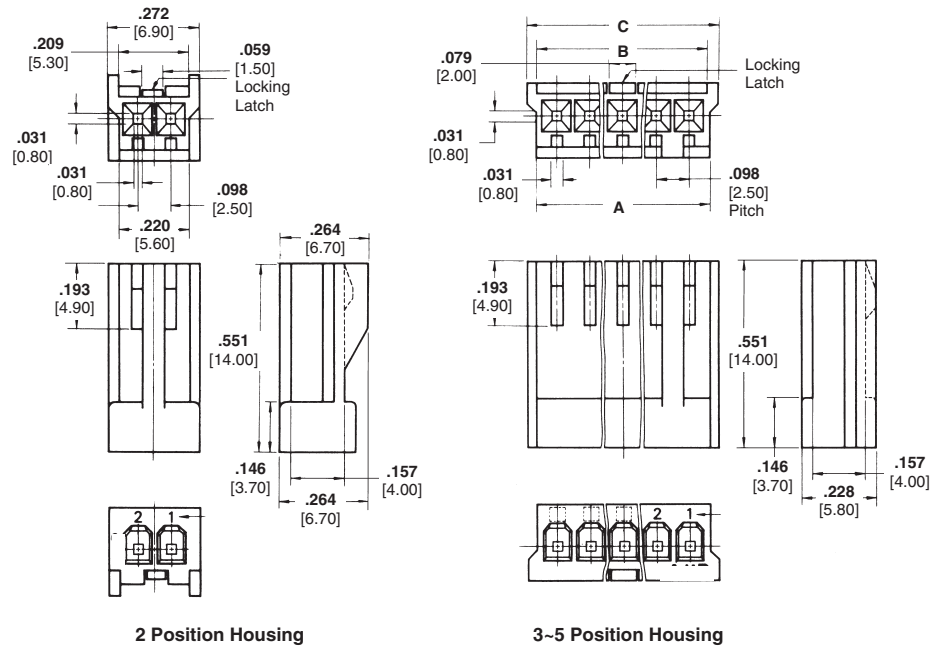
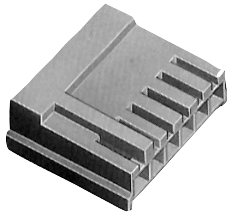
Wire Size AWG (mm <sup>2</sup> )	Wire Ins. Diameter	Contact Part Numbers Brass/Pre-Tin		Hand Tool Part Numbers
		S.T.	L.P.	
30-26 (0.05-0.15)	.039-.055 1.00-1.40	—	170205-1	722561-1
26-20 (0.14-0.52)	.043-.075 1.10-1.90	170262-1	170204-1	722560-1

Hand Tool Instruction Sheet: IS-071J.

#### Standard Type Receptacle Housings for Standard Circuit .098 [2.50]

**Material:**

UL 94V-0 rated, 6/6 nylon



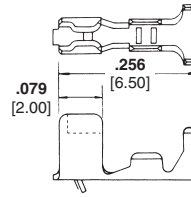
No. of Positions	Dimensions			Part Numbers Natural
	A	B	C	
2	—	—	—	171822-2
3	.319 8.1	.307 7.8	.370 9.4	171822-3
4	.417 10.6	.406 10.3	.469 11.9	171822-4
5	.516 13.1	.504 12.8	.567 14.4	171822-5

**Receptacle Connectors (Wire Applied)**

**Low Profile Type Receptacle Contacts**

**Material:**

Pre-Tin Phosphor Bronze



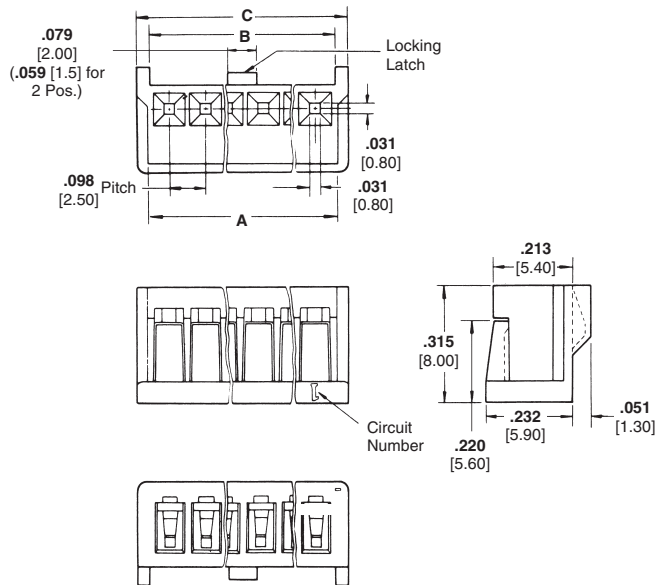
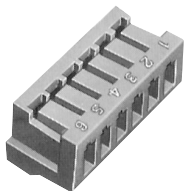
Wire Size	Wire Ins. Dia.	Contact Part No.		Hand Tool Part Numbers		
		S.T.	L.P.			
30-26	0.05~0.15	.039~.059	1.00~1.50	—	170370-1	724663-1
26-22	0.12~0.35	.043~.075	1.10~1.90	170354-1	170369-1	755332-1

Hand Tool Instruction Sheet: IS-099J (724663-1), IS-364J (755332-1).  
 Insertion Tool Number 724674-1. Extraction Tool Number 724676-1.

**Low Profile Type Receptacle Housings .098 [2.50]**

**Material:**

UL 94V-0 rated, 6/6 nylon



No. of Positions	Dimensions			Part Numbers Natural
	A	B	C	
2	.217 5.50	.205 5.20	.276 7.00	172142-2
3	.315 8.00	.303 7.70	.374 9.50	172142-3
4	.413 10.50	.402 10.20	.472 12.00	172142-4