

DC Current transducer DK-B5/10

A split core transducer for the electronic measurement DC current, with galvanic isolation between the primary (High power) and the secondary circuits (Electronic circuit) with voltage output.



$I_{PN} = 50..400A$



Electrical data

Primary Nominal Current I_{PN} (A.t)	Analogue Output Signal ¹⁾ V_{OUT} (V)	Type
50,75,100	0-5	DK 100 B5
100,150,200	0-5	DK 200 B5
150,225,300	0-5	DK 300 B5
200,300,400	0-5	DK 400 B5
50,75,100	0-10	DK 100 B10
100,150,200	0-10	DK 200 B10
150,225,300	0-10	DK 300 B10
200,300,400	0-10	DK 400 B10

V_c	Supply voltage	22-26	V AC/ DC
R_L	Load resistance (max)	250	k Ω
V_d	Isolation voltage	3000	V AC
f	Frequency	DC	
I_c	Current consumption (max)	100	mA

Accuracy - Dynamic performance data

X	Accuracy @ I_{PN} , $T_A=25^\circ C$	± 1	%
ϵ_L	Linearity	± 0.75	%
t_r	Response time @ 90% of I_{PN}	< 300	mS

General data

T_A	Ambient operating temperature (0-95% RH)	- 20 .. + 50	$^\circ C$
T_S	Ambient storage temperature	- 20 .. + 85	$^\circ C$
m	Mass	120	g

Features

- DC Measurement
- Split core box
- Voltage output
- Jumper selectable ranges
- Panel mounting
- Extended measuring range

Advantages

- Large aperture
- High isolation between primary and secondary circuits
- Easy to mount
- No insertion losses

Applications

- Battery Banks
 - Monitors load current.
 - Monitors charging current.
 - Verifies operation.
- Transportation
 - Measures traction power or auxiliary loads.
- Electric Heating Elements
 - Faster response than temperature sensors.

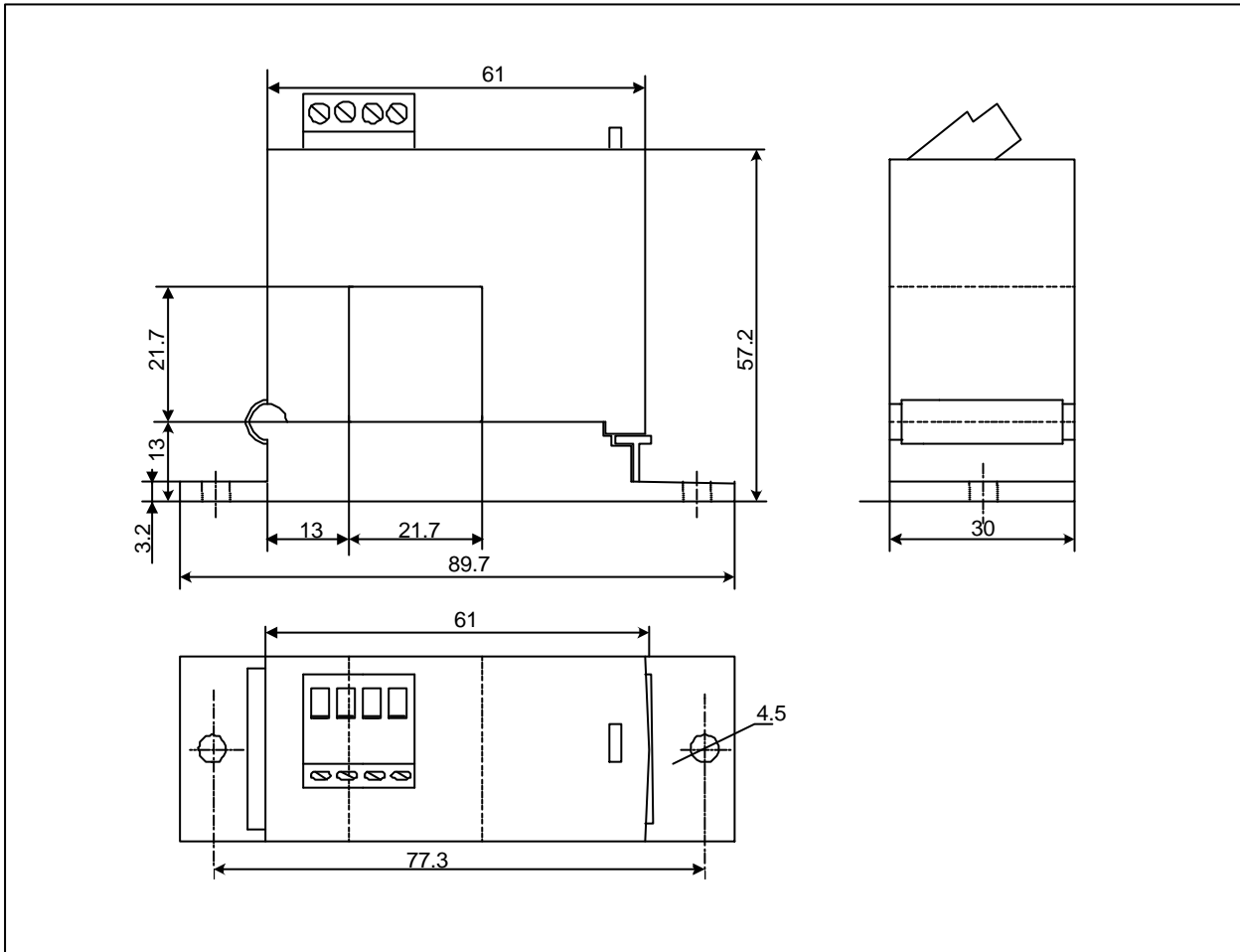
Options on request

- DIN mounting

Note : ¹⁾ For 0-3 V output model, no saturation output up to 3.5 V
for 0-5 V output model, no saturation output up to 5.75 V
and for 0-10 V output model, no saturation output up to 11.5 V

040405/5

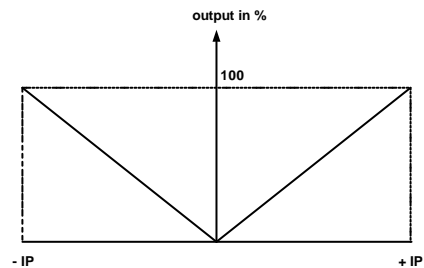
Dimensions DK-B5/10 (unit : mm, 1mm = 0.0394 inch)



Mechanical characteristics

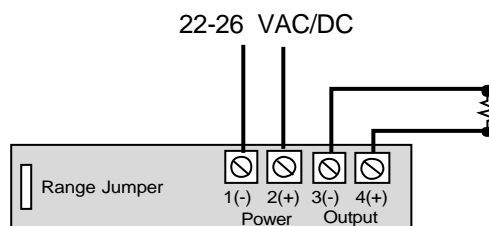
- General tolerance ± 1 mm
- Primary aperture 21.7 mm sq.
- Panel mounting 2 holes $\varnothing 4.5$ mm
- Distance between holes 77.3 mm

Output



Connections

- 2 x UNC8 Cylindric Head



- Dead front captive screw terminals
- 12-22AWG solid or stranded