

Blade Terminal & Special Purpose Fuses

Low Voltage

RoHS MIDI® FUSE



The MIDI® Fuse offers a bolt-on space saving fuse for high current wiring protection and provides time delay characteristics with "Diffusion Pill Technology". The MIDI Fuse was designed and patented by Littelfuse.

ELECTRICAL CHARACTERISTICS:

| % of Ampere Rating | Ampere Rating | Opening Time |
|--------------------|---------------|---|
| 100% | 30-125A | 100 hours, Minimum |
| 110% | 30-125A | 4 hours, Minimum |
| 150% | 30-125A | 90 sec., Min. ; 3600 sec., Max. |
| 200% | 30-125A | 5 sec., Min. ; 100 sec., Max. |
| | 150-200A | 1 sec., Min. ; 15 sec., Max. |
| 300% | 30-125A | .5 sec., Min. ; 15 sec., Max. |
| | 150-200A | .3 sec., Min. ; 3 sec., Max. |

AGENCY APPROVALS: Recognized under the components program of Underwriters Laboratories.

AGENCY FILE NUMBERS: E71611

INTERRUPTING RATINGS: 1000 amperes at 32 VDC

VOLTAGE RATINGS: 32 VDC

AMBIENT TEMP.: -40°C to +125°C

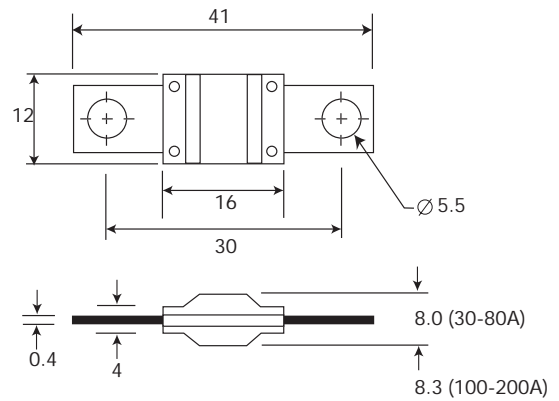
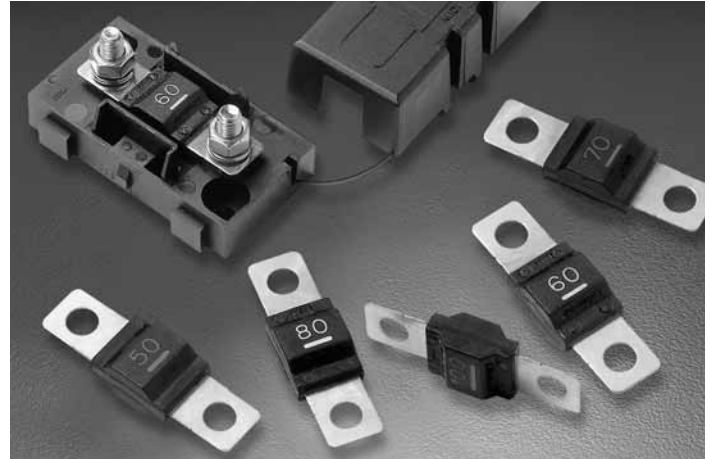
PATENTED

INTERRUPTING RATING:

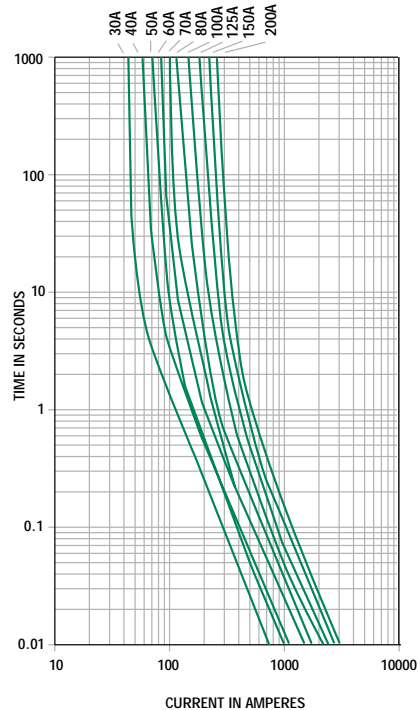
1000A @ 32 VDC

ORDERING INFORMATION:

| Catalog Number | Ampere Rating | Voltage Rating (VDC) | Nominal Cold Resistance (mΩ) |
|----------------|---------------|----------------------|------------------------------|
| 0498 030 | 30 | 32 | 2.1 |
| 0498 040 | 40 | 32 | 1.3 |
| 0498 050 | 50 | 32 | 1.04 |
| 0498 060 | 60 | 32 | 0.87 |
| 0498 070 | 70 | 32 | 0.72 |
| 0498 080 | 80 | 32 | 0.56 |
| 0498 100 | 100 | 32 | 0.45 |
| 0498 125 | 125 | 32 | 0.40 |
| 0498 150 | 150 | 32 | 0.33 |
| 0498 200 | 200 | 32 | 0.25 |



Average Time Current Curves



MIDI® FUSE Fuseholders

ORDERING INFORMATION: Catalog Number 498900.

SPECIFICATIONS:

Electrical: Use with MIDI® Fuses from 30 to 200 amps. (32V)

Body: Glass Filled Thermoplastic

Body Color: Black

Cover With Tether: Glass Filled Thermoplastic

Cover Color: Black

Ambient Temp.: -40°C to +125°C

Fuse Mounting: M5 Threaded Stud and Hex Nuts

Cable Positions: Optional

Side Stackable Feature

