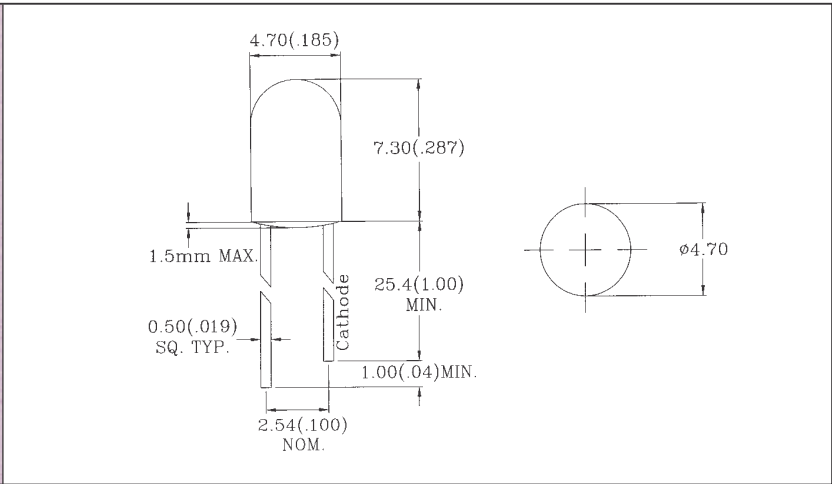
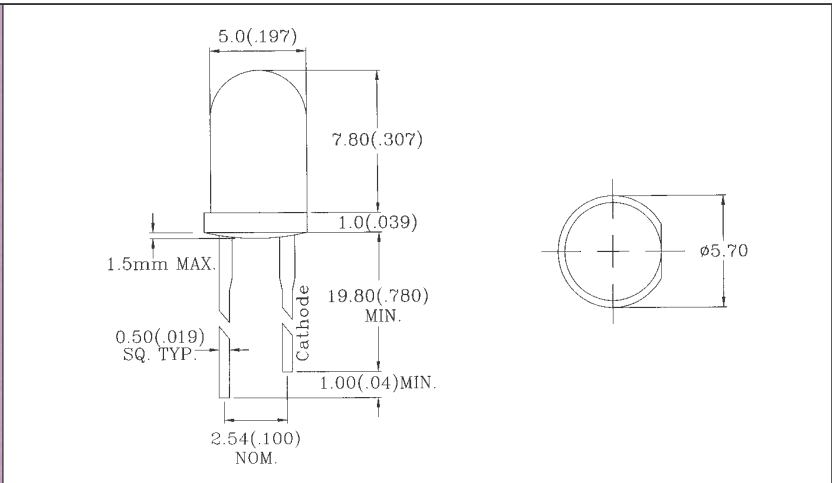


L-503XX 5.0 mm Dia FLANGELESS LED LAMP



Part No.	Chip		Lens Color	Wave Length λ p(nm)	Electro-Optical Characteristics			View Angle (deg)
	Raw Material	Emitted Color			Vf(V)20mA		lv(mcd)20mA	
					Typ.	Max.	Typ.	
L-503HD	GaP	Red	Red Diffused	700	2.3	2.8	8.0	110
L-503GD	GaP	Green	Green Diffused	565	2.2	2.8	20.0	110
L-503YD	GaAsP/GaP	Yellow	Yellow Diffused	585	2.1	2.8	15.0	110
L-503ED	GaAsP/GaP	Hi. effi Red	Red Diffused	635	2.1	2.8	25.0	110
L-503SRD	GaAlAs	Super Red	Red Diffused	660	1.8	2.2	40.0	110

L-511XX 5.0 mm Dia LED LAMP



Part No.	Chip		Lens Color	Wave Length λ p(nm)	Electro-Optical Characteristics			View Angle (deg)
	Raw Material	Emitted Color			Vf(V)20mA		lv(mcd)20mA	
					Typ.	Max.	Typ.	
L-511HD	GaP	Red	Red Diffused	700	2.3	2.8	1.5	135
L-511GD	GaP	Green	Green Diffused	565	2.2	2.8	4.0	135
L-511YD	GaAsP/GaP	Yellow	Yellow Diffused	585	2.1	2.8	3.0	135
L-511ED	GaAsP/GaP	Hi. effi Red	Red Diffused	635	2.1	2.8	6.0	135
L-511SRD	GaAlAs	Super Red	Red Diffused	660	1.8	2.2	15.0	135

- 1.All dimension are in millimeters (inches).
- 2.Tolerance is ± 0.25 mm (0.01") unless otherwise specified.