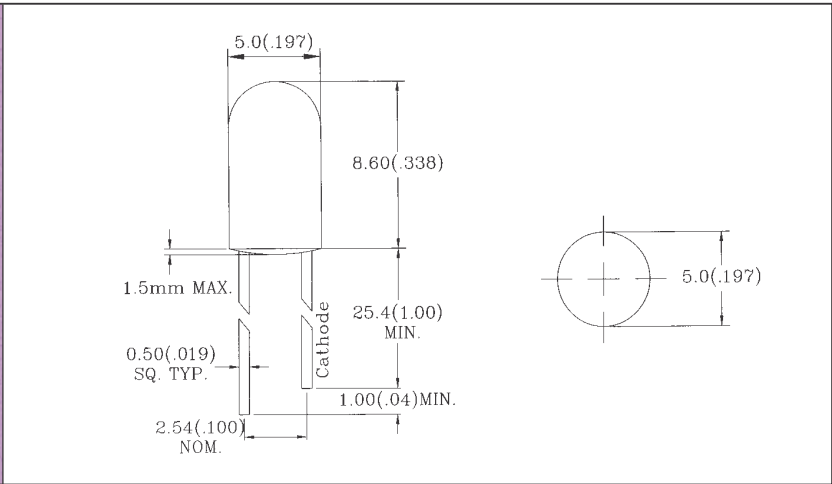
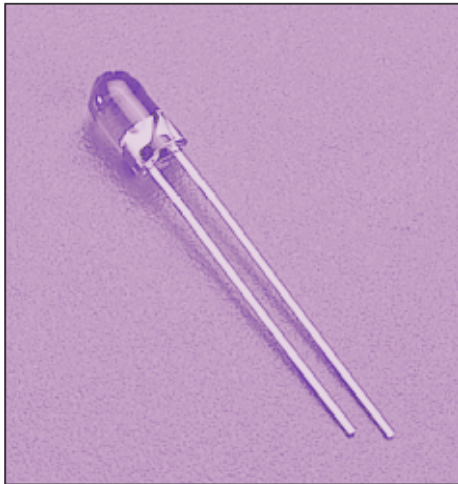
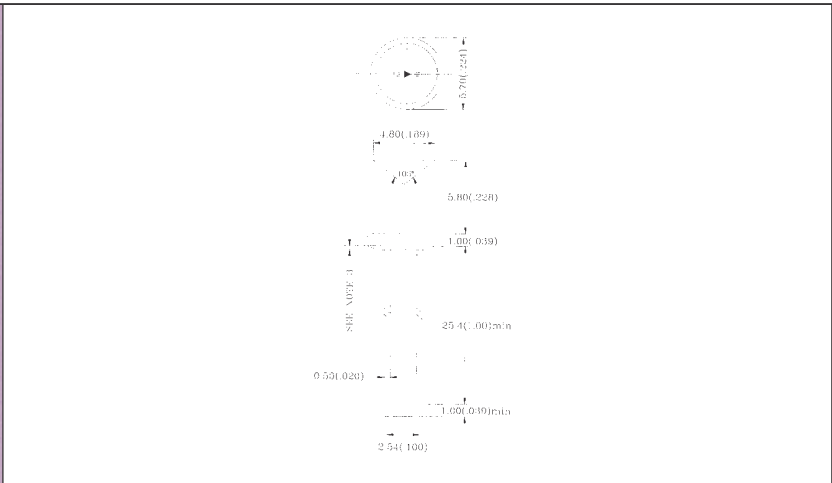
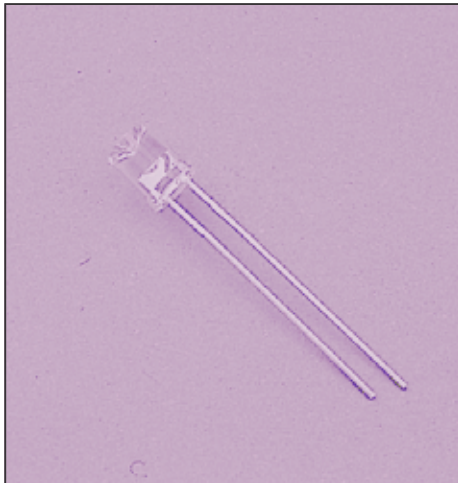


L-523XX 5.0 mm Dia FLANGELESS LED LAMP



Part No.	Chip		Lens Color	Wave Length λ p(nm)	Electro-Optical Characteristics			View Angle (deg)
	Raw Material	Emitted Color			Vf(V)20mA		lv(mcd)20mA	
					Typ.	Max.	Typ.	
L-523HD	GaP	Red	Red Diffused	700	2.3	2.8	8.0	110
L-523GD	GaP	Green	Green Diffused	565	2.2	2.8	20.0	110
L-523YD	GaAsP/GaP	Yellow	Yellow Diffused	585	2.1	2.8	15.0	110
L-523ED	GaAsP/GaP	Hi.effi Red	Red Diffused	635	2.1	2.8	25.0	110
L-523SRD	GaAlAs	Super Red	Red Diffused	660	1.8	2.2	40.0	110

L-553XX 4.8 mm Dia CYLINDRICAL BACKLIGHTING LED LAMP



Part No.	Chip		Lens Color	Wave Length λ p(nm)	Electro-Optical Characteristics			View Angle (deg)
	Raw Material	Emitted Color			Vf(V)20mA		lv(mcd)20mA	
					Typ.	Max.	Typ.	
L-553HD	GaP	Red	Red Diffused	700	2.3	2.8	0.5	150
L-553GD	GaP	Green	Green Diffused	565	2.2	2.8	1.2	150
L-553YD	GaAsP/GaP	Yellow	Yellow Diffused	585	2.1	2.8	0.8	150
L-553ED	GaAsP/GaP	Hi.effi Red	Red Diffused	635	2.1	2.8	3.0	150
L-553SRD	GaAlAs	Super Red	Red Diffused	660	1.8	2.2	3.0	150

- 1.All dimension are in millimeters (inches).
- 2.Tolerance is ± 0.25 mm (0.01") unless otherwise specified.