

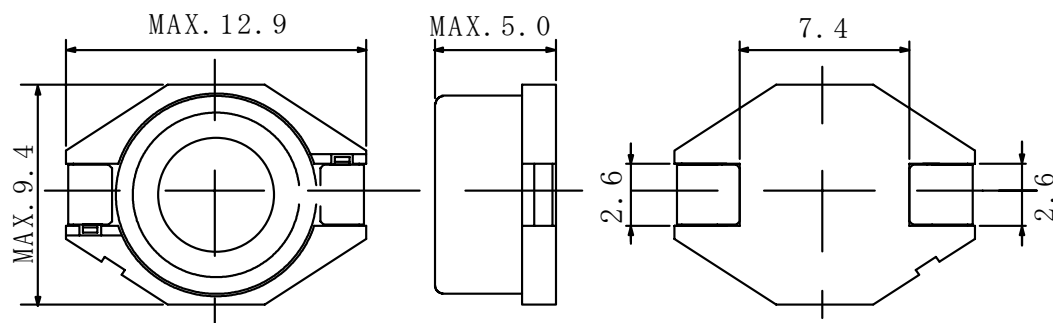
# 仕様書

形名

CDRR94

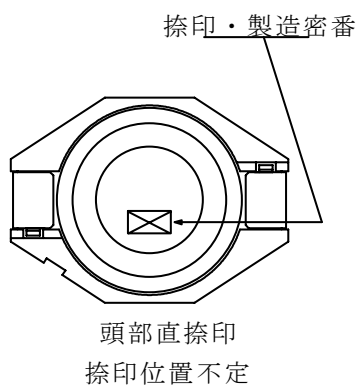
## 1. 外形

### 1-1. 寸法図(mm)

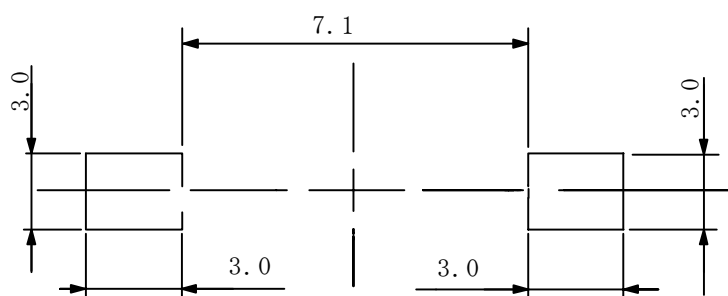


\* 公差のない寸法は参考値とする。

### 1-2. 捺印表示例

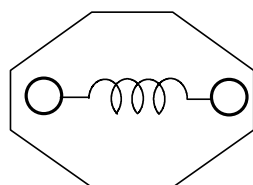


### 1-3. 推奨ランド寸法(mm)



## 2. コイル仕様

### 2-1. 端子接続図(裏面図)



RoHS

compliance  
Cd:Max. 0.01wt%  
others:Max. 0.1wt%



# 仕様書

|              |
|--------------|
| 形名<br>CDRR94 |
|--------------|

## 2-2. 電気的特性 I (リール梱包の場合)

| NO. | 部品番号           | 表示  | インダクタンス<br>[以内]<br>※1 | D. C. R.<br>(mΩ)<br>[以下] ※2<br>(at 20°C) | 直接重量飽<br>和電流 (A)<br>※3<br>(at 20°C) | 温度上昇<br>電流 (A)<br>※4<br>ΔT=40°C | スミダ<br>コード |
|-----|----------------|-----|-----------------------|--|-------------------------------------|---------------------------------|------------|
| 01  | CDRR94NP-1R0MC | 1R0 | 1.0 μH ± 20%          | 15.3(12.2)                               | 10.8                                | 5.0                             | 3790-0001  |
| 02  | CDRR94NP-1R5MC | 1R5 | 1.5 μH ± 20%          | 16.9(13.5)                               | 9.6                                 | 4.5                             | 3790-0002  |
| 03  | CDRR94NP-2R2MC | 2R2 | 2.2 μH ± 20%          | 27.5(22.0)                               | 7.2                                 | 3.4                             | 3790-0003  |
| 04  | CDRR94NP-3R3MC | 3R3 | 3.3 μH ± 20%          | 38.8(31.0)                               | 6.2                                 | 2.7                             | 3790-0004  |
| 05  | CDRR94NP-4R7MC | 4R7 | 4.7 μH ± 20%          | 50.6(40.5)                               | 5.4                                 | 2.5                             | 3790-0005  |
| 06  | CDRR94NP-6R8MC | 6R8 | 6.8 μH ± 20%          | 70.6(56.5)                               | 4.4                                 | 2.1                             | 3790-0006  |
| 07  | CDRR94NP-100MC | 100 | 10 μH ± 20%           | 91.3(73.0)                               | 3.0                                 | 1.9                             | 3790-0007  |
| 08  | CDRR94NP-120MC | 120 | 12 μH ± 20%           | 112.5(90)                                | 3.2                                 | 1.6                             | 3790-0008  |
| 09  | CDRR94NP-150MC | 150 | 15 μH ± 20%           | 150.0(120)                               | 2.8                                 | 1.3                             | 3790-0009  |
| 10  | CDRR94NP-180MC | 180 | 18 μH ± 20%           | 182.5(146)                               | 2.6                                 | 1.2                             | 3790-0010  |
| 11  | CDRR94NP-220MC | 220 | 22 μH ± 20%           | 197.5(158)                               | 2.4                                 | 1.1                             | 3790-0011  |
| 12  | CDRR94NP-270MC | 270 | 27 μH ± 20%           | 269.0(215)                               | 2.1                                 | 0.95                            | 3790-0012  |
| 13  | CDRR94NP-330MC | 330 | 33 μH ± 20%           | 298.0(238)                               | 1.9                                 | 0.90                            | 3790-0013  |
| 14  | CDRR94NP-390MC | 390 | 39 μH ± 20%           | 397.0(317)                               | 1.7                                 | 0.75                            | 3790-0014  |
| 15  | CDRR94NP-470MC | 470 | 47 μH ± 20%           | 435.0(348)                               | 1.6                                 | 0.70                            | 3790-0015  |
| 16  | CDRR94NP-680MC | 680 | 68 μH ± 20%           | 670.0(536)                               | 1.3                                 | 0.55                            | 3790-0016  |
| 17  | CDRR94NP-820MC | 820 | 82 μH ± 20%           | 898.0(718)                               | 1.2                                 | 0.45                            | 3790-0017  |
| 18  | CDRR94NP-101MC | 101 | 100 μH ± 20%          | 1063.0(850)                              | 1.0                                 | 0.40                            | 3790-0018  |

※1 測定周波数 インダクタンス at 100kHz。

※2 ( )は、標準値とする。

※3 直流重畳飽和電流：直流重畳飽和電流を流した時、インダクタンスが初期値より-10%となる電流値。

※4 温度上昇電流：通電時、イルの温度上昇がΔT=40°Cになる電流の実力値。(Ta=20°Cを基準とする。)

# 仕様書

形名  
CDRR94

## 2-3. 電気的特性Ⅱ (箱梱包の場合)

| NO. | 部品番号           | 表示  | インダクタンス<br>[以内]<br>※1 | D. C. R.<br>(mΩ)<br>[以下] ※2<br>(at 20°C) | 直接重量飽<br>和電流 (A)<br>※3<br>(at 20°C) | 温度上昇<br>電流 (A)<br>※4<br>△T=40°C | スミダ<br>コード |
|-----|----------------|-----|-----------------------|--|-------------------------------------|---------------------------------|------------|
| 19  | CDRR94NP-1R0MB | 1R0 | 1.0 μH ± 20%          | 15.3(12.2)                               | 10.8                                | 5.0                             | 3790-0019  |
| 20  | CDRR94NP-1R5MB | 1R5 | 1.5 μH ± 20%          | 16.9(13.5)                               | 9.6                                 | 4.5                             | 3790-0020  |
| 21  | CDRR94NP-2R2MB | 2R2 | 2.2 μH ± 20%          | 27.5(22.0)                               | 7.2                                 | 3.4                             | 3790-0021  |
| 22  | CDRR94NP-3R3MB | 3R3 | 3.3 μH ± 20%          | 38.8(31.0)                               | 6.2                                 | 2.7                             | 3790-0022  |
| 23  | CDRR94NP-4R7MB | 4R7 | 4.7 μH ± 20%          | 50.6(40.5)                               | 5.4                                 | 2.5                             | 3790-0023  |
| 24  | CDRR94NP-6R8MB | 6R8 | 6.8 μH ± 20%          | 70.6(56.5)                               | 4.4                                 | 2.1                             | 3790-0024  |
| 25  | CDRR94NP-100MB | 100 | 10 μH ± 20%           | 91.3(73.0)                               | 3.0                                 | 1.9                             | 3790-0025  |
| 26  | CDRR94NP-120MB | 120 | 12 μH ± 20%           | 112.5(90)                                | 3.2                                 | 1.6                             | 3790-0026  |
| 27  | CDRR94NP-150MB | 150 | 15 μH ± 20%           | 150.0(120)                               | 2.8                                 | 1.3                             | 3790-0027  |
| 28  | CDRR94NP-180MB | 180 | 18 μH ± 20%           | 182.5(146)                               | 2.6                                 | 1.2                             | 3790-0028  |
| 29  | CDRR94NP-220MB | 220 | 22 μH ± 20%           | 197.5(158)                               | 2.4                                 | 1.1                             | 3790-0029  |
| 30  | CDRR94NP-270MB | 270 | 27 μH ± 20%           | 269.0(215)                               | 2.1                                 | 0.95                            | 3790-0030  |
| 31  | CDRR94NP-330MB | 330 | 33 μH ± 20%           | 298.0(238)                               | 1.9                                 | 0.90                            | 3790-0031  |
| 32  | CDRR94NP-390MB | 390 | 39 μH ± 20%           | 397.0(317)                               | 1.7                                 | 0.75                            | 3790-0032  |
| 33  | CDRR94NP-470MB | 470 | 47 μH ± 20%           | 435.0(348)                               | 1.6                                 | 0.70                            | 3790-0033  |
| 34  | CDRR94NP-680MB | 680 | 68 μH ± 20%           | 670.0(536)                               | 1.3                                 | 0.55                            | 3790-0034  |
| 35  | CDRR94NP-820MB | 820 | 82 μH ± 20%           | 898.0(718)                               | 1.2                                 | 0.45                            | 3790-0035  |
| 36  | CDRR94NP-101MB | 101 | 100 μH ± 20%          | 1063.0(850)                              | 1.0                                 | 0.40                            | 3790-0036  |

※1 測定周波数 インダクタンス at 100kHz。

※2 ( )は、標準値とする。

※3 直流重量飽和電流：直流重量飽和電流を流した時、インダクタンスが初期値より-10%となる電流値。

※4 温度上昇電流：通電時、コイルの温度上昇が△T=40°Cになる電流の実力値。(Ta=20°Cを基準とする。)

3. 使用温度範囲：-40 ~ +100 (コイルの発熱を含む。)

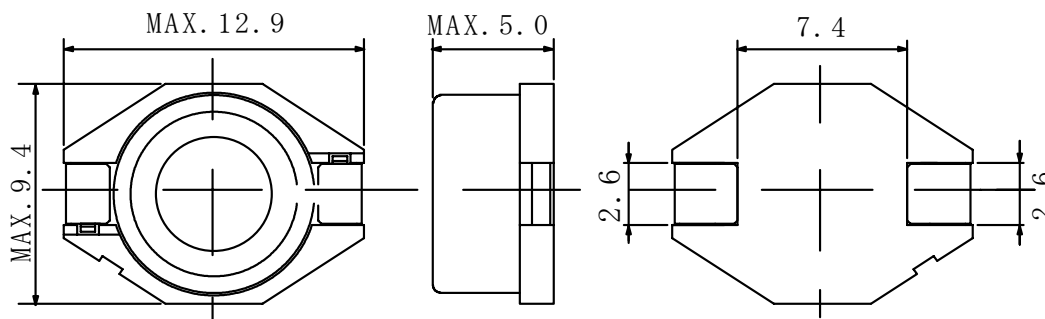
保存温度範囲：-40 ~ +100 .

# SPECIFICATION

|                  |
|------------------|
| TYPE<br>CDRR 9 4 |
|------------------|

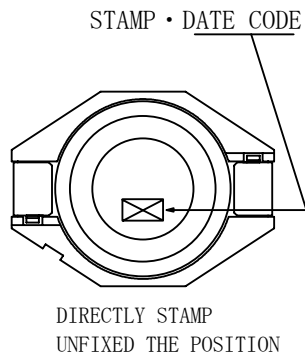
## 1. APPEARANCE

### 1-1. DIMENSIONS (mm)

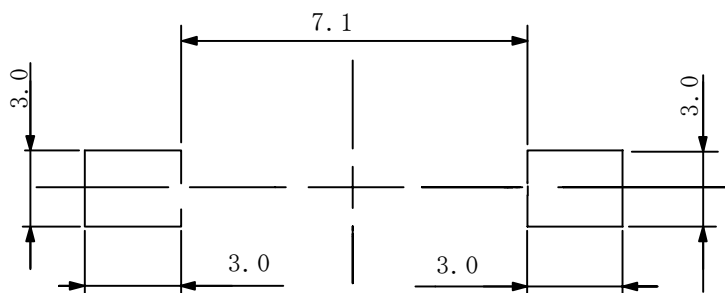


\* DIMENSIONS WITHOUT TOLERANCE ARE APPROX.

### 1-2. STAMP (E. G.)

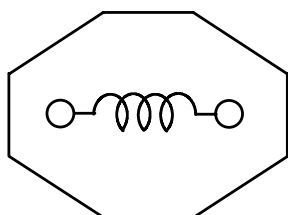


### 1-3. DIMENSION RECOMMENDED (mm)



## 2. COIL SPECIFICATION

### 2-1. CONNECTION (BOTTOM VIEW)



|   |
|---|
| RoHS<br>compliance<br>Cd:Max. 0.01wt%<br>others:Max. 0.1wt% |
|---|



# SPECIFICATION

|                |
|----------------|
| TYPE<br>CDRR94 |
|----------------|

## 2-2. ELECTRICAL CHARACTERISTICS I (IN THE CASE OF REEL)

| NO. | PART NO.       | STAMP | INDUCTANCE<br>[WITHIN]<br>※1 | D. C. R. (mΩ)<br>[MAX.]<br>(at 20°C) ※2 | SATURATION<br>CURRENT<br>(at 20°C)<br>(MA) ※3 | TEMPERATURE<br>RISE CURRENT<br>(A) ※4<br>ΔT=40 °C | SUMIDA<br>CODE |
|-----|----------------|-------|------------------------------|---|---|---|----------------|
| 01  | CDRR94NP-1R0MC | 1R0   | 1.0 μH ± 20%                 | 15.3(12.2)                              | 10.8  | 5.0   | 3790-0001      |
| 02  | CDRR94NP-1R5MC | 1R5   | 1.5 μH ± 20%                 | 16.9(13.5)                              | 9.6   | 4.5   | 3790-0002      |
| 03  | CDRR94NP-2R2MC | 2R2   | 2.2 μH ± 20%                 | 27.5(22.0)                              | 7.2   | 3.4   | 3790-0003      |
| 04  | CDRR94NP-3R3MC | 3R3   | 3.3 μH ± 20%                 | 38.8(31.0)                              | 6.2   | 2.7   | 3790-0004      |
| 05  | CDRR94NP-4R7MC | 4R7   | 4.7 μH ± 20%                 | 50.6(40.5)                              | 5.4   | 2.5   | 3790-0005      |
| 06  | CDRR94NP-6R8MC | 6R8   | 6.8 μH ± 20%                 | 70.6(56.5)                              | 4.4   | 2.1   | 3790-0006      |
| 07  | CDRR94NP-100MC | 100   | 10 μH ± 20%                  | 91.3(73.0)                              | 3.0   | 1.9   | 3790-0007      |
| 08  | CDRR94NP-120MC | 120   | 12 μH ± 20%                  | 112.5(90)                               | 3.2   | 1.6   | 3790-0008      |
| 09  | CDRR94NP-150MC | 150   | 15 μH ± 20%                  | 150.0(120)                              | 2.8   | 1.3   | 3790-0009      |
| 10  | CDRR94NP-180MC | 180   | 18 μH ± 20%                  | 182.5(146)                              | 2.6   | 1.2   | 3790-0010      |
| 11  | CDRR94NP-220MC | 220   | 22 μH ± 20%                  | 197.5(158)                              | 2.4   | 1.1   | 3790-0011      |
| 12  | CDRR94NP-270MC | 270   | 27 μH ± 20%                  | 269.0(215)                              | 2.1   | 0.95  | 3790-0012      |
| 13  | CDRR94NP-330MC | 330   | 33 μH ± 20%                  | 298.0(238)                              | 1.9   | 0.90  | 3790-0013      |
| 14  | CDRR94NP-390MC | 390   | 39 μH ± 20%                  | 397.0(317)                              | 1.7   | 0.75  | 3790-0014      |
| 15  | CDRR94NP-470MC | 470   | 47 μH ± 20%                  | 435.0(348)                              | 1.6   | 0.70  | 3790-0015      |
| 16  | CDRR94NP-680MC | 680   | 68 μH ± 20%                  | 670.0(536)                              | 1.3   | 0.55  | 3790-0016      |
| 17  | CDRR94NP-820MC | 820   | 82 μH ± 20%                  | 898.0(718)                              | 1.2   | 0.45  | 3790-0017      |
| 18  | CDRR94NP-101MC | 101   | 100 μH ± 20%                 | 1063.0(850)                             | 1.0   | 0.40  | 3790-0018      |

※1 MEASURING FREQUENCY at 100kHz.

※2 D. C. R. ( ) TYPICAL VALUE.

※3 SATURATION CURRENT: THIS INDICATES THE VALUE OF D. C. CURRENT WHEN THE INDUCTANCE DECREASES TO 10% LOWER OF IT'S INITIAL VALUE.

※4 TEMPERATURE RISE: THE VALUE OF D. C. CURRENT WHEN THE TEMPERATURE RISE IS Δt=40°C (Ta=20°C).

# SPECIFICATION

|                |
|----------------|
| TYPE<br>CDRR94 |
|----------------|

## 2-3. ELECTRICAL CHARACTERISTICS II (IN THE CASE OF BOX)

| NO. | PART NO.       | STAMP | INDUCTANCE<br>[WITHIN]<br>※1 | D. C. R. (mΩ)<br>[MAX.]<br>(at 20°C) ※2 | SATURATION<br>CURRENT<br>(at 20°C)<br>(MA) ※3 | TEMPERATURE<br>RISE CURRENT<br>(A) ※4<br>ΔT=40 °C | SUMIDA<br>CODE |
|-----|----------------|-------|------------------------------|---|---|---|----------------|
| 19  | CDRR94NP-1R0MB | 1R0   | 1.0 μH ± 20%                 | 15.3(12.2)                              | 10.8  | 5.0   | 3790-0019      |
| 20  | CDRR94NP-1R5MB | 1R5   | 1.5 μH ± 20%                 | 16.9(13.5)                              | 9.6   | 4.5   | 3790-0020      |
| 21  | CDRR94NP-2R2MB | 2R2   | 2.2 μH ± 20%                 | 27.5(22.0)                              | 7.2   | 3.4   | 3790-0021      |
| 22  | CDRR94NP-3R3MB | 3R3   | 3.3 μH ± 20%                 | 38.8(31.0)                              | 6.2   | 2.7   | 3790-0022      |
| 23  | CDRR94NP-4R7MB | 4R7   | 4.7 μH ± 20%                 | 50.6(40.5)                              | 5.4   | 2.5   | 3790-0023      |
| 24  | CDRR94NP-6R8MB | 6R8   | 6.8 μH ± 20%                 | 70.6(56.5)                              | 4.4   | 2.1   | 3790-0024      |
| 25  | CDRR94NP-100MB | 100   | 10 μH ± 20%                  | 91.3(73.0)                              | 3.0   | 1.9   | 3790-0025      |
| 26  | CDRR94NP-120MB | 120   | 12 μH ± 20%                  | 112.5(90)                               | 3.2   | 1.6   | 3790-0026      |
| 27  | CDRR94NP-150MB | 150   | 15 μH ± 20%                  | 150.0(120)                              | 2.8   | 1.3   | 3790-0027      |
| 28  | CDRR94NP-180MB | 180   | 18 μH ± 20%                  | 182.5(146)                              | 2.6   | 1.2   | 3790-0028      |
| 29  | CDRR94NP-220MB | 220   | 22 μH ± 20%                  | 197.5(158)                              | 2.4   | 1.1   | 3790-0029      |
| 30  | CDRR94NP-270MB | 270   | 27 μH ± 20%                  | 269.0(215)                              | 2.1   | 0.95  | 3790-0030      |
| 31  | CDRR94NP-330MB | 330   | 33 μH ± 20%                  | 298.0(238)                              | 1.9   | 0.90  | 3790-0031      |
| 32  | CDRR94NP-390MB | 390   | 39 μH ± 20%                  | 397.0(317)                              | 1.7   | 0.75  | 3790-0032      |
| 33  | CDRR94NP-470MB | 470   | 47 μH ± 20%                  | 435.0(348)                              | 1.6   | 0.70  | 3790-0033      |
| 34  | CDRR94NP-680MB | 680   | 68 μH ± 20%                  | 670.0(536)                              | 1.3   | 0.55  | 3790-0034      |
| 35  | CDRR94NP-820MB | 820   | 82 μH ± 20%                  | 898.0(718)                              | 1.2   | 0.45  | 3790-0035      |
| 36  | CDRR94NP-101MB | 101   | 100 μH ± 20%                 | 1063.0(850)                             | 1.0   | 0.40  | 3790-0036      |

※1 MEASURING FREQUENCY at 100kHz.

※2 D. C. R. ( ) TYPICAL VALUE.

※3 SATURATION CURRENT: THIS INDICATES THE VALUE OF D. C. CURRENT WHEN THE INDUCTANCE DECREASES TO 10% LOWER OF IT'S INITIAL VALUE.

※4 TEMPERATURE RISE: THE VALUE OF D. C. CURRENT WHEN THE TEMPERATURE RISE IS Δt=40°C (Ta=20°C).

**3. STORAGE TEMPERATURE RANGE: -40°C~+100°C**

OPERATING TEMPERATURE RANGE: -40°C~+100°C (INCLUDING SELF TEMPERATURE RISE)