

# YGV606B

## AVDP

Advanced Video Display Processor

---

### ■ OUTLINE

The AVDP is the ideal VDP (video display processor) for display screen control of consumer TVs. It has a number of high level display and drawing functions. Therefore, graphic systems for OSD, education equipment, children's toys, etc., can all be easily realized at nominal cost.

### ■ FEATURES

#### Display functions

- Display mode                      Bitmap graphics and sprite
- Display resolution                NTSC     : 368 × 240 (480)  
  PAL       : 368 × 280 (560)  
  Numbers in parentheses indicate interlace alternate mode.
- Number of display colors        Built-in color pallet, 256 colors out of a selection of 260,000 colors can be displayed. This makes it possible to display natural images.  
  Simultaneous 16 color/256 color/32768 color (when using two AVDPs) display.
- Scroll                                Scrollable in all directions.  
  An XY coordinate image space (bitmap) can be set freely in any screen structure.  
  A scroll display area of any size can be set in the image space.
- Sprite                               Two 32 × 32 dot sprites can be displayed.  
  Color can be displayed in dot units.
- Color bus                           An external superimposed display can be constructed using the output of the color bus.  
  Multiple plane structure with multiple AVDPs is possible through the color bus input terminal.
- Others                               Display window can be set and mosaic display is possible.  
  Divided screen display is possible.  
  Linear RGB output through the built-in DAC.

## Drawing functions

- Command types
  - Block transfer (Rectangle area, point)
  - Linear drawing
  - Border color detection
- Drawing attributes
  - Logical operation (NOT, AND, OR, EOR, etc.)
  - Transparent color process
  - Bit write mask
  - Drawing area clipping
- Drawing speed
  - A maximum of 560 nsec/dot

## Others

- VRAM
 

Uses 1M and 4M DRAMs, only one is required for an active VRAM construction.

16-color, 1-screen mode

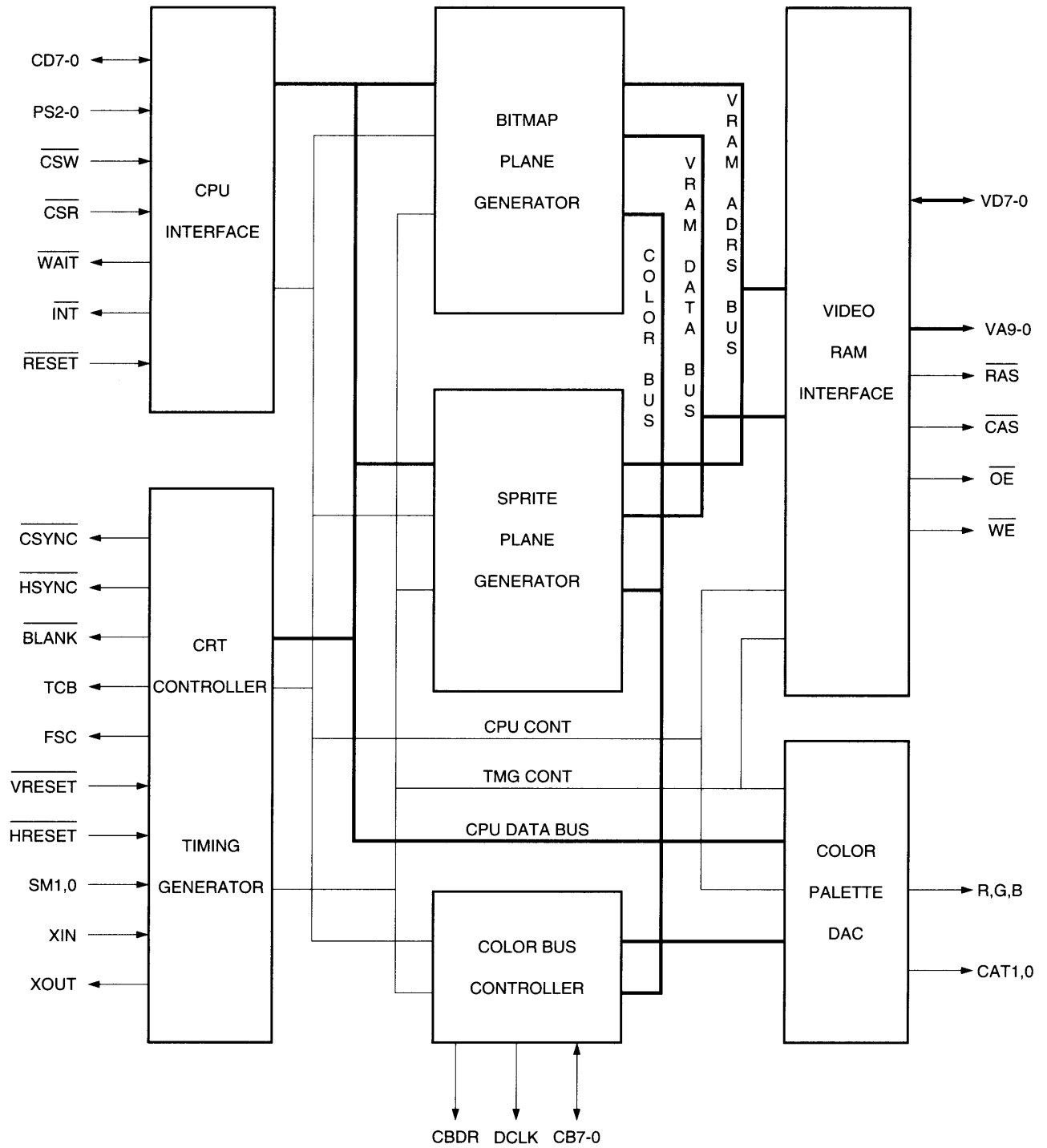
VRAM capacity	256K dots : 256K word × 4 bits × 1
	1M dots : 1M word × 4 bits × 1

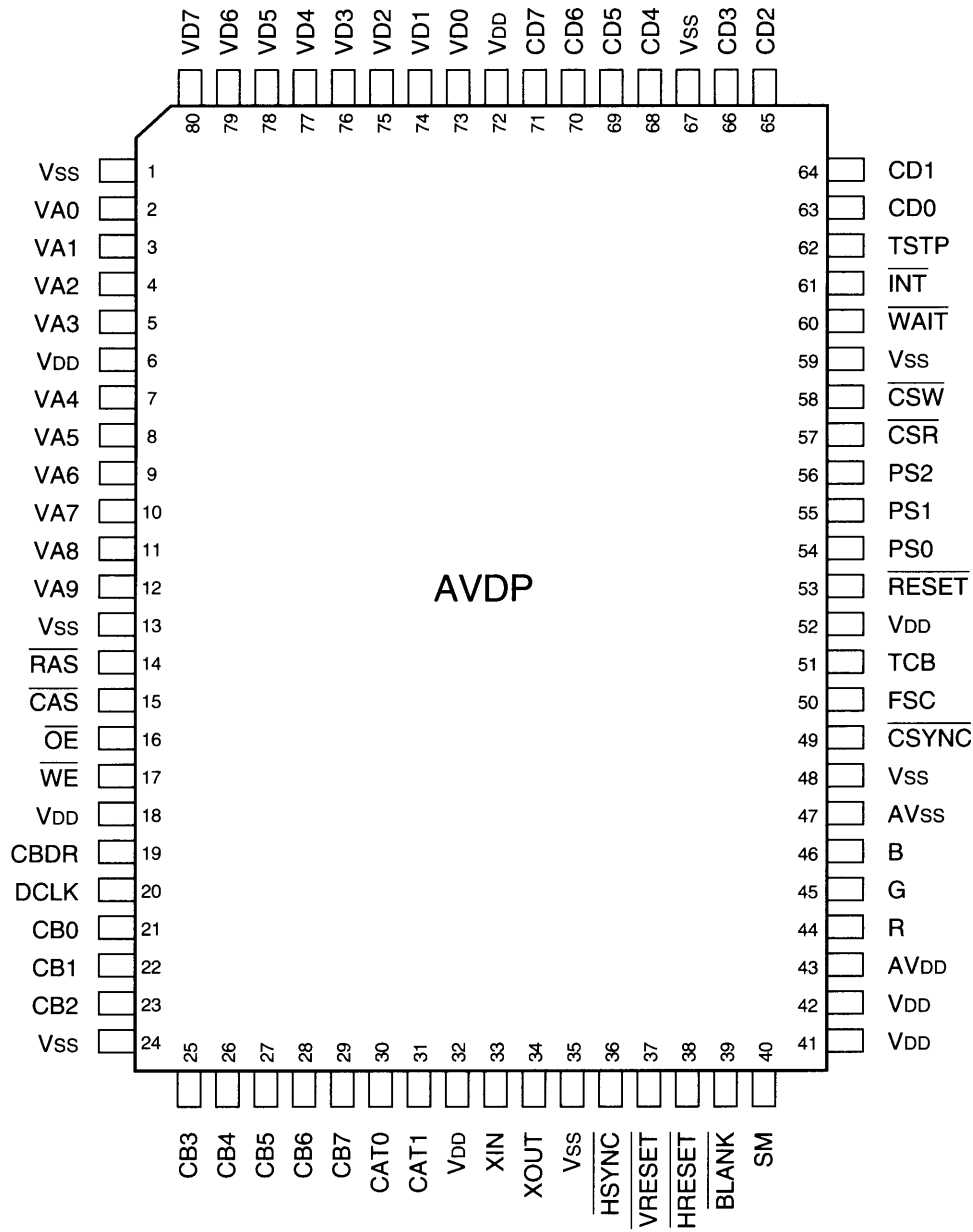
Modes other than the above

VRAM capacity	256K dots : 256K word × 4 bits × 2
	512K dots : 512K word × 8 bits × 1
	1M dots : 1M word × 4 bits × 2
  
- CPU interface
  - 8-bit parallel data bus
  - Wait function during VRAM access
  - Various interruption functions (Vertical display period completion, display position, drawing command completion)
  - High-speed register and color pallet access is made possible by an automatic address increment function.
  
- Package
  - 80-pin plastic QFP, CMOS, 5 V single power supply

## ■ BLOCK DIAGRAM



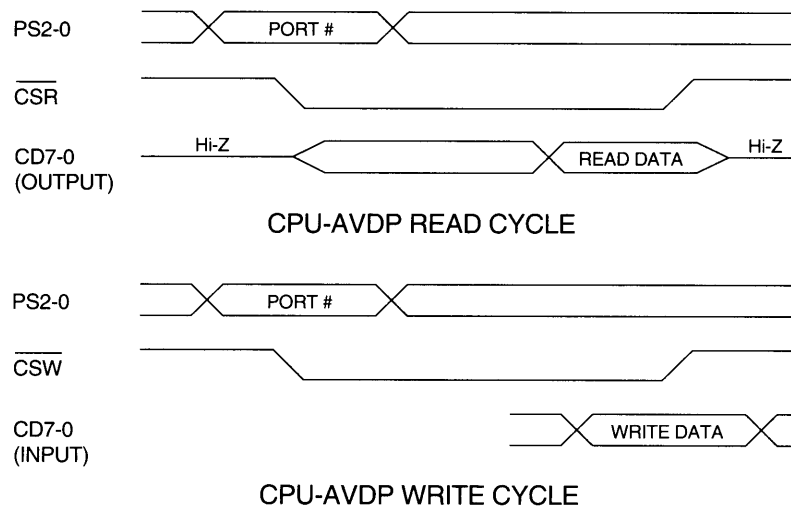
## ■ PIN ASSIGNMENT



## ■ TERMINAL FUNCTION

### 1) CPU interface

- CD7-0 (I/O)  
8-bit bi-directional CPU data bus.
- PS2-0 (I)  
I/O port No. specification input. Selects P#6 – P#0 of AVDP.
- CSW (I)  
Strobe signal input for AVDP data write from the CPU.
- CSR (I)  
Strobe signal input for AVDP data read out from the CPU.



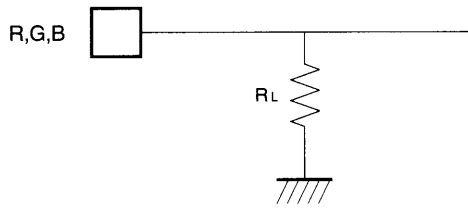
- $\overline{\text{WAIT}}$  (O: Open drain output)  
Output of wait signal to the CPU.
- $\overline{\text{INT}}$  (O: Open drain output)  
Output of the interruption request signal to the CPU.
- $\overline{\text{RESET}}$  (I)  
Power on reset input. AVDP is initialized during low level.

### 2) VRAM interface

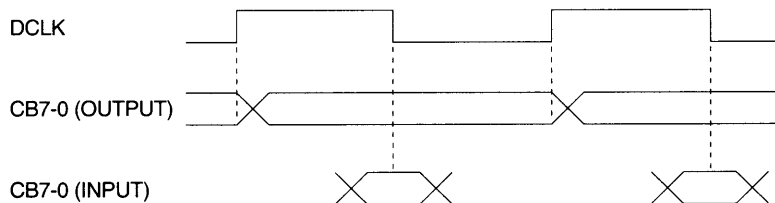
- VD7-0 (I/O)  
VRAM data bus.
- VA9-0 (O)  
VRAM address bus.
- $\overline{\text{RAS}}$  (O)  
DRAM row address strobe signal for VRAM.
- $\overline{\text{CAS}}$  (O)  
DRAM column address strobe signal for VRAM.
- $\overline{\text{OE}}$  (O)  
DRAM data output enable signal for VRAM.
- $\overline{\text{WE}}$  (O)  
DRAM write enable signal for VRAM.

### 3) CRT interface

- R, G, B (O: analog output)  
Linear RGB output.



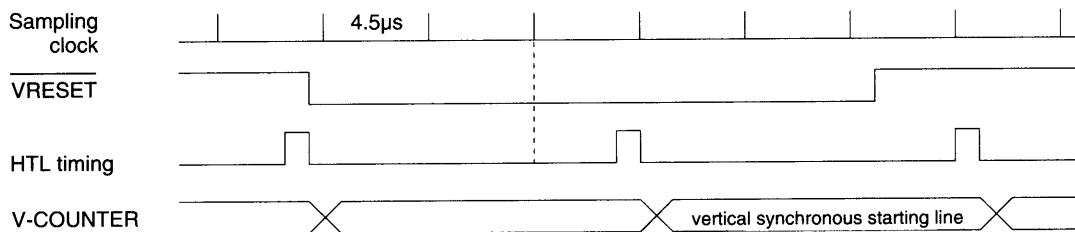
- CAT 1, 0 (O)  
Attribute timing output of the color code. It is output at the linear RGB output timing of the color code in accordance with AT1 and AT0 of the color palette.
- CB7-0 (I/O)  
Display color code output of the AVDP (2 dots earlier than the linear RGB), or display color code input to the AVDP.
- DCLK (O)  
Dot clock output. The input and output of the terminals CB7 to 0 synchronize this clock.



- CBDR (O)  
This shows the input and output status of terminals CB7 to 0  
When the level of CBDR is low, CB7 to 0 function as an input terminal. Conversely, when the level of CBDR is high, CB7 to 0 function as an output terminal.
- CSYNC (O)  
Composite synchronizing signal or vertical synchronous signal.
- HSYNC (O)  
Horizontal synchronous signal. Equalizing pulse is not inserted. The synchronous signal width can be selected from two types: normal width and 50% duty width.
- BLANK (O)  
Retrace line blanking interval.
- FSC (O)  
Sub-carrier clock output for NTSC video encoder. It is effective only in NTSC mode.

- **VRESET (I)**

Vertical timing reset input. The input signal to this terminal is sampled with a cycle clock of approx. 4.5  $\mu$ sec, when low level is detected three times in succession, the internal V counter is reset to the vertical synchronous starting line of the even number field at the next HTL timing (HSYNC starting timing).



- **HRESET (I)**

Horizontal timing reset input. AVDP horizontal timing is set to the horizontal synchronous starting position during the fall of this signal. The phase of the dot clock in relation to the main clock is fixed. It can be used for synchronization when using two AVDP's (same clock input) but cannot be used otherwise.

- **TCB (O)**

Color burst insertion timing signal.

- **SM (I)**

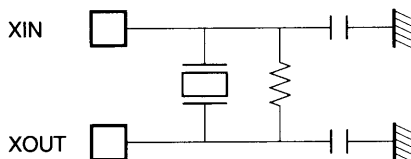
Scan mode selection input.

SM	Scan mode
High	NTSC
Low	PAL

#### 4) Clock

- **XIN (I), XOUT (O)**

Crystal oscillator connection terminal. External transmission clock should be input to the XIN terminal.



#### 5) Power supply

- **AVDD, AVSS (I)**

Analog power supply input for RGB.

- **VDD, VSS (I)**

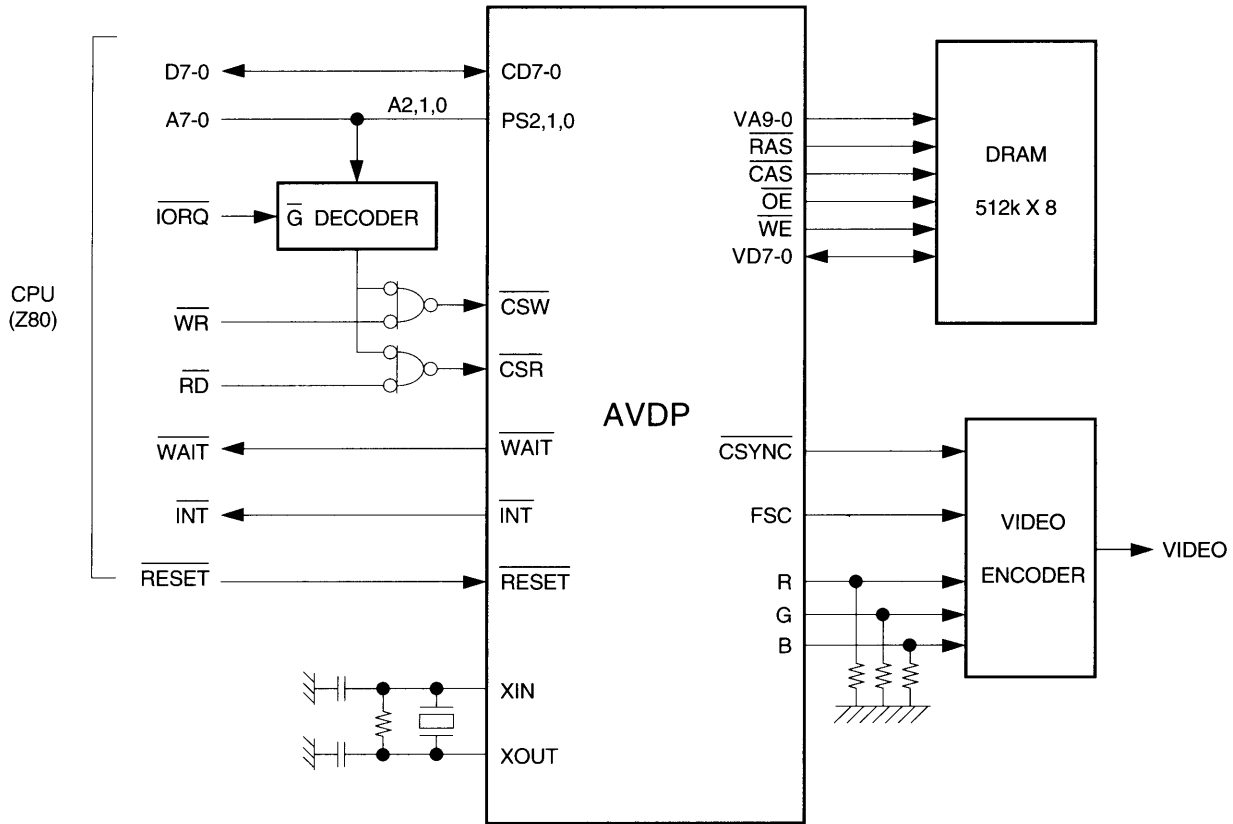
Digital power supply input.

#### 6) Others

- **TSTP (I)**

Input for internal circuit test. Normally used when high or N.C. is input. When low level is input, the operation cannot be guaranteed.

■ SYSTEM CONFIGURATION EXAMPLE





## ■ ELECTRICAL CHARACTERISTICS

### • Absolute Maximum Ratings

Item	Symbol	Ratings	Unit
Supply voltage	VDD	-0.5~+7.0	V
Input terminal voltage	VI	-0.5~VDD+0.5	V
Output terminal voltage	VO	-0.5~VDD+0.5	V
Output terminal current	IO	-20~+20	mA
Storage temperature	Tstg	-50~+125	°C

### • Recommended Operating Conditions

Item	Symbol	Min.	Typ.	Max.	Unit
Supply voltage	VDD	4.75	5.00	5.25	V
Supply voltage	VSS		0		V
Low-level Input voltage (except for the XIN terminal)	VIL	-0.3		0.8	V
High-level Input voltage (except for the XIN terminal)	VIH	2.0		VDD+0.3	V
Low-level Input voltage (the XIN terminal)	VIL	-0.3		1.5	V
High-level Input voltage (the XIN terminal)	VIH	3.5		VDD+0.3	V
Ambient operating temperature	Top	0		70	°C

### • Electrical Characteristics Under Recommended Operating Conditions

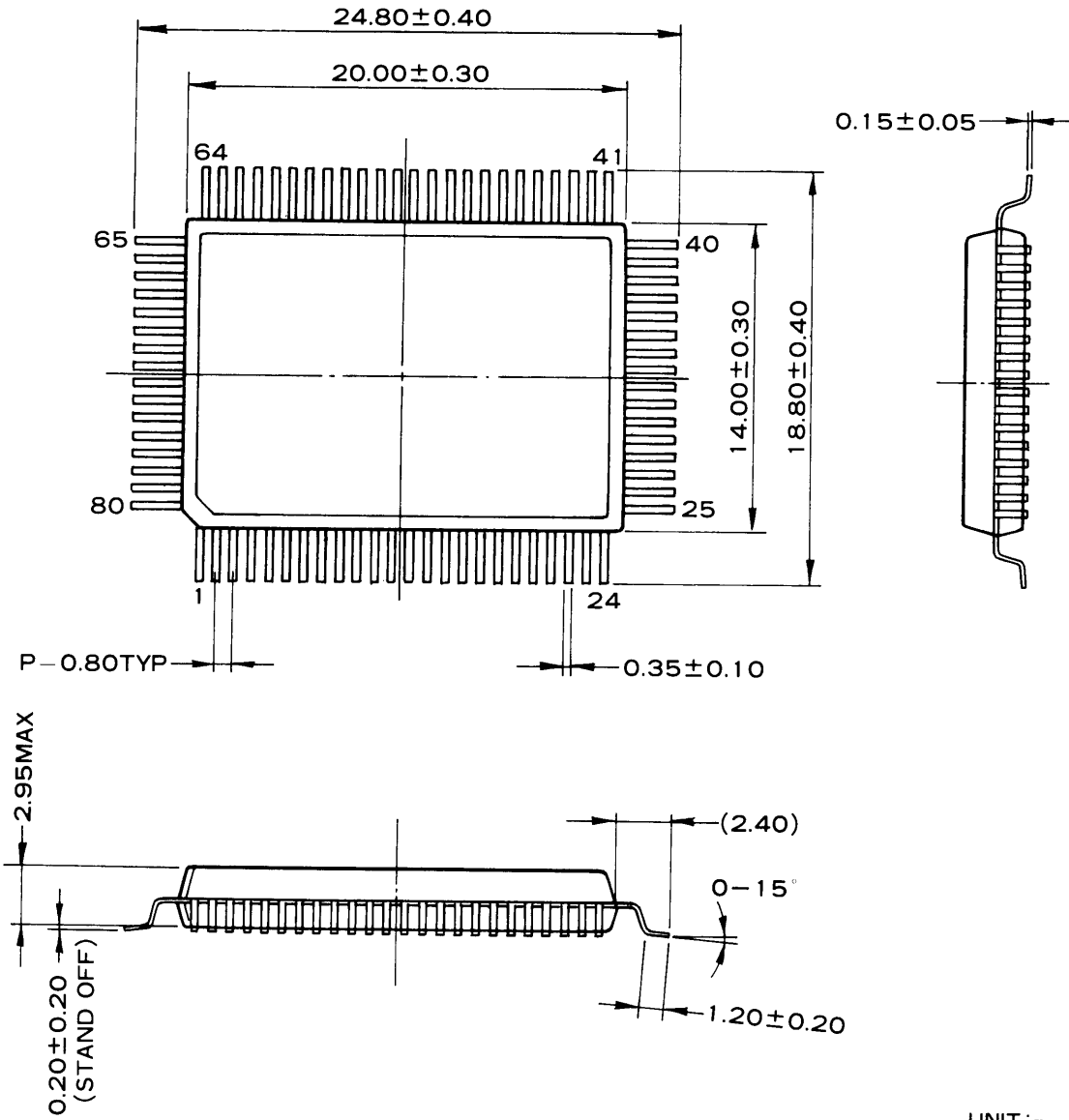
#### • DC Characteristics

Item	Symbol	Measuring conditions	Min.	Typ.	Max.	Unit
Low-level output voltage	VOL	IOL=1.6 mA			0.4	V
High-level output voltage (except for the OPEN DRAIN terminal)	VOH	IOH=-1.0 mA	4.0			V
Input leakage current	ILI				10	μA
Output leakage current	ILO				25	μA
Power consumption	IDD				60	mA

#### • Terminal capacity

Item	Symbol	Min.	Typ.	Max.	Unit
Input terminal capacity	CI			8	pF
Output terminal capacity	CO			10	
Input/Output terminal capacity	CIO			12	

EXTERNAL DIMENSION



UNIT : mm

Note : The LSIs for surface mount need especial consideration on storage and soldering conditions. For detailed information, please contact your nearest agent of yamaha.

■ MEMO

**IMPORTANT NOTICE**

1. Yamaha reserves the right to make changes to its Products and to this document without notice. The information contained in this document has been carefully checked and is believed to be reliable. However, Yamaha assumes no responsibilities for inaccuracies and makes no commitment to update or to keep current the information contained in this document.

2. These Yamaha Products are designed only for commercial and normal industrial applications, and are not suitable for other uses, such as medical life support equipment, nuclear facilities, critical care equipment or any other application the failure of which could lead to death, personal injury or environmental or property damage. Use of the Products in any such application is at the customer's sole risk and expense.

3. YAMAHA ASSUMES NO LIABILITY FOR INCIDENTAL, CONSEQUENTIAL OR SPECIAL DAMAGES OR INJURY THAT MAY RESULT FROM MISAPPLICATION OR IMPROPER USE OR OPERATION OF THE PRODUCTS.

4. YAMAHA MAKES NO WARRANTY OR REPRESENTATION THAT THE PRODUCTS ARE SUBJECT TO INTELLECTUAL PROPERTY LICENSE FROM YAMAHA OR ANY THIRD PARTY, AND YAMAHA MAKES NO WARRANTY OR REPRESENTATION OF NON-INFRINGEMENT WITH RESPECT TO THE PRODUCTS. YAMAHA SPECIFICALLY EXCLUDES ANY LIABILITY TO THE CUSTOMER OR ANY THIRD PARTY ARISING FROM OR RELATED TO THE PRODUCTS' INFRINGEMENT OF ANY THIRD PARTY'S INTELLECTUAL PROPERTY RIGHT, INCLUDING THE PATENT, COPYRIGHT, TRADEMARK OR TRADE SECRET RIGHTS OF ANY THIRD PARTY.

5. EXAMPLES OF USE DESCRIBED HEREIN ARE MERELY TO INDICATE THE CHARACTERISTICS AND PERFORMANCE OF YAMAHA PRODUCTS. YAMAHA ASSUMES NO RESPONSIBILITY FOR ANY INTELLECTUAL PROPERTY CLAIMS OR OTHER PROBLEMS THAT MAY RESULT FROM APPLICATIONS BASED ON THE EXAMPLES DESCRIBED HEREIN. YAMAHA MAKES NO WARRANTY WITH RESPECT TO THE PRODUCTS, EXPRESS OR IMPLIED, INCLUDING, BUT NOT LIMITED TO THE WARRANTIES OF MERCHANTABILITY, FITNESS FOR A PARTICULAR USE AND TITLE.

The specifications of this product are subject to improvement changes without prior notice.

AGENCY

**YAMAHA CORPORATION**

Address inquiries to :  
Semiconductor Sales & Marketing Department

- Head Office 203, Matsunokijima, Toyooka-mura,  
Iwata-gun, Shizuoka-ken, 438-0192  
Tel. +81-539-62-4918 Fax. +81-539-62-5054
- Tokyo Office 2-17-11, Takanawa, Minato-ku,  
Tokyo, 108-8568  
Tel. +81-3-5488-5431 Fax. +81-3-5488-5088
- Osaka Office Namba Tsujimoto Nissei Bldg, 4F  
1-13-17, Namba Naka, Naniwa-ku,  
Osaka City, Osaka, 556-0011  
Tel. +81-6-6633-3690 Fax. +81-6-6633-3691
- U.S.A Office YAMAHA Systems Technology.  
100 Century Center Court, San Jose, CA 95112  
Tel. +1-408-467-2300 Fax. +1-408-437-8791