

---

# YAMAHA LSI

---

# YSS902

## AC3D

### Dolby Digital (AC-3) / Pro Logic decoder + Sub DSP

---

#### ■ INTRODUCTION

The YSS902 is one chip LSI consisting of two built-in DSP's ; Dolby Digital (AC-3) / Pro Logic (Main DSP) and a sound processing DSP (Sub DSP). Sub DSP is capable of realizing various sound fields, such as virtual surround, by down-loading the program and coefficient.

#### ■ FEATURERS

- Dolby Digital 5.1 channel full decode.
- 24 bit DSP. (Group-A Dolby Digital decoder)
- No external memory is required. (Memories for center and surround channel delay are included)
- Possible to decode multi-language encoded data. (possible to decode based on data-stream-number)
- AC-3 karaoke mode.
- Original compression modes as well as four compression modes recommended by Dolby.
- Dolby Digital decoding latency is fixed to two audio blocks (512 samples).
- Included de-emphasis filter.
- Pro Logic decoding for Dolby Digital 2 channels decoded signal as well as ordinary PCM.
- High performance 25 MIPS programmable DSP suitable for a variety of sound field processing such as original surround, filtering, virtual surround etc.
- Up to 1.36 second delay time is capable when used with an external 1Mbit SRAM. (at fs= 48 kHz)
- Reads Dolby Digital decode information through the microprocessor interface.
- Provide total sixteen I/O ports.
- Possible to connect most of SPDIF receivers, A/D and D/A converters, by setting I/O data interface format.
- Has a built-in PLL oscillation circuit to generates its own operating clock.
- Internal operating clock is 25MHz.
- Supply Voltage: 3.3v for core logic. 5v for I/Os.
- Power saving mode.
- Si-gate CMOS process.
- 100 QFP.(YSS902-F)

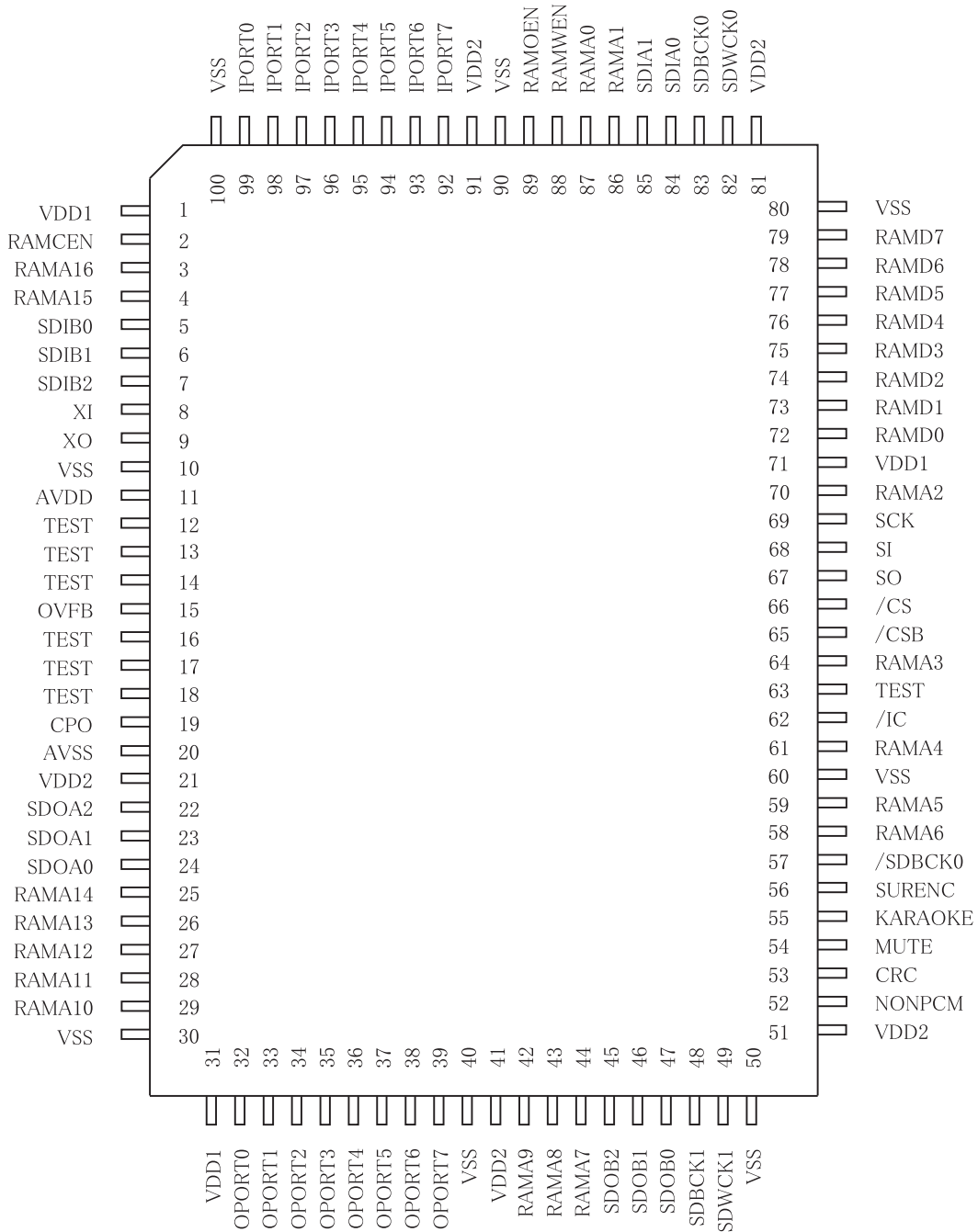
Note: "AC-3" and "Pro Logic" are registered trademarks of Dolby Laboratories Licensing Corporation.  
Use of this LSI must be licensed by Dolby Laboratories Licensing Corporation.

---

YAMAHA CORPORATION

YSS902 CATALOG
CATALOG No.:LSI-4SS902A4
1999. 7

■ PIN CONFIGURATION



< 100QFP TOP VIEW >

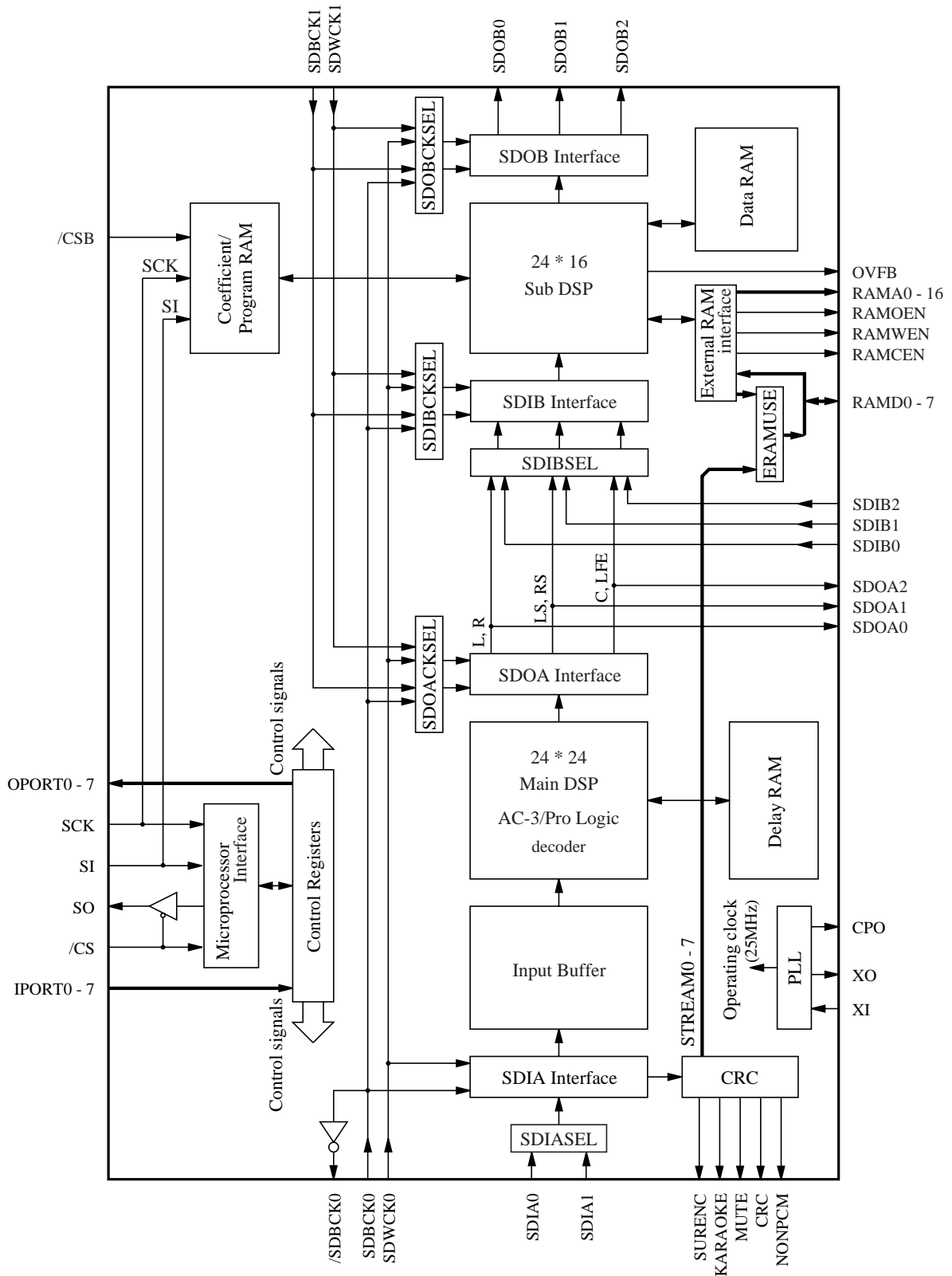
## ■ PIN FUNCTION

No.	Name	I/O	FUNCTION
1	VDD1	-	+5V power supply (for I/Os)
2	RAMCEN	O	External SRAM interface /CE
3	RAMA16	O	External SRAM interface address 16
4	RAMA15	O	External SRAM interface address 15
5	SDIB0	I+	PCM input 0 to Sub DSP
6	SDIB1	I+	PCM input 1 to Sub DSP
7	SDIB2	I+	PCM input 2 to Sub DSP
8	XI	I	Crystal oscillator connection (6.125MHz - 50.0MHz)
9	XO	O	Crystal oscillator connection
10	VSS	-	Ground
11	AVDD	-	+3.3 V power supply (for PLL circuit)
12	TEST		Test terminal (to be open in normal use)
13	TEST		Test terminal (to be open in normal use)
14	TEST		Test terminal (to be open in normal use)
15	OVFB	O	Detection of overflow at Sub DSP
16	TEST		Test terminal (to be open in normal use)
17	TEST		Test terminal (to be open in normal use)
18	TEST		Test terminal (to be open in normal use)
19	CPO	A	Output terminal for PLL, to be connected to ground through the external analog filter circuit
20	AVSS	-	Ground (for PLL circuit)
21	VDD2	-	+3.3 V power supply (for core logic)
22	SDOA2	O	PCM output from Main DSP (C, LFE)
23	SDOA1	O	PCM output from Main DSP (LS, RS )
24	SDOA0	O	PCM output from Main DSP (L, R)
25	RAMA14	O	External SRAM interface address 14
26	RAMA13	O	External SRAM interface address 13
27	RAMA12	O	External SRAM interface address 12
28	RAMA11	O	External SRAM interface address 11
29	RAMA10	O	External SRAM interface address 10
30	VSS	-	Ground
31	VDD1	-	+5V power supply (for I/Os)
32	OPORT0	O	Output port for general purpose
33	OPORT1	O	Output port for general purpose
34	OPORT2	O	Output port for general purpose
35	OPORT3	O	Output port for general purpose
36	OPORT4	O	Output port for general purpose
37	OPORT5	O	Output port for general purpose
38	OPORT6	O	Output port for general purpose
39	OPORT7	O	Output port for general purpose
40	VSS	-	Ground
41	VDD2	-	+3.3 V power supply (for core logic)
42	RAMA9	O	External SRAM interface address 9
43	RAMA8	O	External SRAM interface address 8
44	RAMA7	O	External SRAM interface address 7
45	SDOB2	O	PCM output from Sub DSP
46	SDOB1	O	PCM output from Sub DSP
47	SDOB0	O	PCM output from Sub DSP
48	SDBCK1	I+	Bit clock input for SDOA, SDIB, SDOB
49	SDWCK1	I+	Word clock input for SDOA, SDIB, SDOB
50	VSS	-	Ground
51	VDD2	-	+3.3 V power supply (for core logic)
52	NONPCM	O	Detection of non-PCM data
53	CRC	O	Detection of CRC error
54	MUTE	O	Detection of auto mute
55	KARAOKE	O	Detection of AC-3 karaoke data

No.	Name	I/O	FUNCTION
56	SURENC	O	Detection of AC-3 2/0 mode Dolby surround encoded input
57	/SDBCK0	O	Inverted SDBCK0 clock output (refer to Block diagram)
58	RAMA6	O	External SRAM interface address 6
59	RAMA5	O	External SRAM interface address 5
60	VSS	-	Ground
61	RAMA4	O	External SRAM interface address 4
62	/IC	Is	Initial clear
63	TEST		Test terminal (to be open in normal use)
64	RAMA3	O	External SRAM interface address 3
65	/CSB	Is+	Sub DSP Chip select
66	/CS	Is	Microprocessor interface Chip select input
67	SO	Ot	Microprocessor interface Serial data output
68	SI	Is	Microprocessor interface / Sub DSP Serial data input
69	SCK	Is	Microprocessor interface / Sub DSP clock input
70	RAMA2	O	External SRAM interface address 2
71	VDD1	-	+5V power supply (for I/Os)
72	RAMD0	I+/ O	External SRAM interface data (STREAM0 output when External SRAM is not in use)
73	RAMD1	I+/ O	External SRAM interface data (STREAM1 output when External SRAM is not in use)
74	RAMD2	I+/ O	External SRAM interface data (STREAM2 output when External SRAM is not in use)
75	RAMD3	I+/ O	External SRAM interface data (STREAM3 output when External SRAM is not in use)
76	RAMD4	I+/ O	External SRAM interface data (STREAM4 output when External SRAM is not in use)
77	RAMD5	I+/ O	External SRAM interface data (STREAM5 output when External SRAM is not in use)
78	RAMD6	I+/ O	External SRAM interface data (STREAM6 output when External SRAM is not in use)
79	RAMD7	I+/ O	External SRAM interface data (STREAM7 output when External SRAM is not in use)
80	VSS	-	Ground
81	VDD2	-	+3.3 V power supply (for core logic)
82	SDWCK0	I	Word clock input for SDIA, SDOA, SDIB, SDOB
83	SDBCK0	I	Bit clock input for SDIA, SDOA, SDIB, SDOB
84	SDIA0	I	AC-3 bitstream (or PCM) data input for Main DSP
85	SDIA1	I	AC-3 bitstream (or PCM) data input for Main DSP
86	RAMA1	O	External SRAM interface address 1
87	RAMA0	O	External SRAM interface address 0
88	RAMWEN	O	External SRAM interface /WE
89	RAMOEN	O	External SRAM interface /OE
90	VSS	-	Ground
91	VDD2	-	+3.3 V power supply (for core logic)
92	IPOINT7	I+	Input port for general purpose
93	IPOINT6	I+	Input port for general purpose
94	IPOINT5	I+	Input port for general purpose
95	IPOINT4	I+	Input port for general purpose
96	IPOINT3	I+	Input port for general purpose
97	IPOINT2	I+	Input port for general purpose
98	IPOINT1	I+	Input port for general purpose
99	IPOINT0	I+	Input port for general purpose
100	VSS	-	Ground

NOTE) Is: Schmidt trigger input terminal  
I+: Input terminal with a pull-up resistor  
O: Digital output terminal  
Ot: Tri-state digital output terminal  
A: Analog terminal

## ■ BLOCK DIAGRAM



## ■ FUNCTION DESCRIPTION

The YSS902 consist of Main DSP section where AC-3/Pro Logic decoding is executed and Sub DSP section where various sound field effects are added. Please refer to “BLOCK DIAGRAM” section.

Sub DSP is a 6 ch input / 6 ch output programmable DSP exclusively for the sound field processing. It can apply such effects as virtual surround, echo and equalizing. In addition, with an SRAM up to 1Mbit connected, it can produce reverberation for one second or longer. By using this function, it is possible to simulate various sound fields such as a hall or a church.

\* If adopting some technology owned by another company is desired for use in Sub DSP section, note that a separate contract may be required between the owner of that technology and the user with respect to adoption of the technology.

### 1. Clocks XI, XO, CPO

The crystal oscillation circuit is formed by using XI and XO terminals. Oscillation frequency 50MHz is divided by 2 internally to provide the operating clock signals of 25MHz.

Clock signals should be obtained through self oscillation by using XI and XO terminals, or external clock signals should be fed through the XI terminal.

This LSI operates in a PLL oscillation mode as well. When the PLL oscillation mode is selected and an external clock signal whose frequency is lower than 49MHz is fed through the XI terminal and multiplied, connect an external analog filter between CPO terminal and Ground.

### 2. Data Interface SDIA0, SDIA1, SDOA0-2, SDIB0-2, SDOB0-2, SDWCK0, SDBCK0, SDWCK1, SDBCK1, /SDBCK0

Main DSP section

AC-3 bitstream or PCM data should be fed from SDIA0 or SDIA1 terminal. These signals are processed by AC-3 / Pro Logic decoding procedure in Main DSP section and then transmitted to Sub DSP section as well as outputted through SDOA0-2 terminals.

Sub DSP section

In Sub DSP section, various types of processing can be applied to the PCM data decoded in Main DSP section or inputted through SDIB0-2 terminals. Then, processed signals are outputted from each of SDOB0-2 terminals.

Following parameters can be selected by changing the control register setting.

- Selection of Main DSP input signal (SDIA0, SDIA1)
- Selection of Sub DSP input signal (Main DSP output, SDIB0-2 input)
- Polarity of bit clock and word clock
- Format and bit count of input/output data

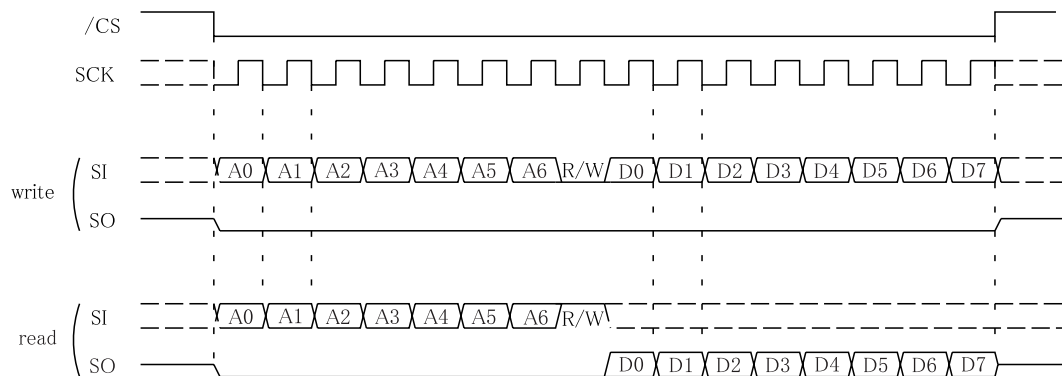
For more information on the format of the input/output data, please refer to “Serial Data Interface” section.

### 3. Microprocessor Interface /CS, /CSB, SCK, SI, SO

The control registers can be read/written via the serial microprocessor interface by using /CS, SCK, SI, and SO terminals.

Please refer to the following format diagram for the details of read/write timing.

## Format diagram for read/write timing



When /CS=1, the SO output becomes high-impedance.

\* Be sure to set /CSB to "1" when making an access to the control register.

The sound field processing program used for Sub DSP is down-loaded by using the /CSB, SCK, and SI terminals. Please refer to Application manual for the details of Sub DSP.

## 4. External Interface **RAMA0-16, RAMD0-7, RAMCEN, RAMOEN, RAMWEN**

An external SRAM can be connected to Sub DSP.

## 5. General purpose I/O ports **OPORT0-7, IPORT0-7**

OPORT0-7 terminals are output ports for general purpose. Data written on the register (address 0x04) are outputted from these terminals.

IPORT0-7 terminals are input ports for general purpose. Data inputted to these terminals can be read from the register (address 0x05).

## 6. Initial clear **/IC**

This LSI requires initial clear when turning on the power.

## 7. LSI test terminals **TEST**

Leave the test terminals open in normal use.

■ CONTROL REGISTER

The decoding system is controlled by reading and writing the control registers through microprocessor interface. (/CS, SCK, SI and SO)

Note: All bits are set to “0” by initial clear (/IC=0) except for PLL0(bit 4) of PLL/DSN register (0x00).

address	Name	bit 7	bit 6	bit 5	bit 4	bit 3	bit 2	bit 1	bit 0	
0x00	PLL/DSN Register	PLLUSE	PLL2-0			DSNIGN	DSN2 - 0			
0x01	Mute Register	LMUTEN	CMUTEN	RMUTEN	RSMUTEN	LSMUTEN	LFEMUTEN	DSPMUTEN	AMOFF	
0x02	SDIA Register	SDIASSEL	PDOWN	SDIAFMT1 - 0		SDIABIT1 - 0		SDIAWP	SDIABP	
0x03	SDOA Register	SDOACKSEL		SDOAFMT1 - 0		SDOABIT1 - 0		SDOAWP	SDOABP	
0x04	OPORT Register	OPORT7 - 0								
0x05	IPORT Register	IPORT7 - 0 (Read only)								
0x09	Noise Level Register	NOISELEV7 - 0								
0x0A	Center Delay Register						CDELAY2 - 0			
0x0B	Surround Delay Register						SRDELAY3 - 0			
0x0C	Noise Register	NOISE	PN/WN							
0x0D	FS Register								FS1 - 0	
0x0E	L Volume Register	LVOL7 - 0								
0x0F	C Volume Register	CVOL7 - 0								
0x10	R Volume Register	RVOL7 - 0								
0x11	LS Volume Register	LSVOL7 - 0								
0x12	RS Volume Register	RSVOL7 - 0								
0x13	LFE Volume Register	LFEVOL7 - 0								
0x14	Compression Register	EMPON	AIBON	VOLON	DITHOFF	P11OFF	DIALOFF	COMPMOD1 - 0		
0x15	HDYNRNG Register	HDYNRNG7 - 0								
0x16	LDYNRNG Register	LDYNRNG7 - 0								
0x17	Mode Register	AC3/PCM	PLDECON	PLSRMOD	DUALMOD1 - 0		OUTMOD2 - 0			
0x30	COEF0-H Register	COEF0-15 - 8								
0x31	COEF0-L Register	COEF0-7 - 0								
0x32	COEF1-H Register	COEF1-15 - 8								
0x33	COEF1-L Register	COEF1-7 - 0								
0x34	SDIB Register	SDIBCKSEL	SDIBSEL	SDIBFMT1 - 0		SDIBBIT1 - 0		SDIBWP	SDIBBP	
0x35	SDOB Register	SDOBCKSEL	SDBUSE	SDOBFMT1 - 0		SDOBBIT1 - 0		SDOBWP	SDOBBP	
0x36	ERAM Register	ERAMUSE								

  Note : Do not write "1" into the cross-hatched bits because they are used for testing the LSI.

The following registers of address 0x18 to 0x2F are read-only (write disabled).

address	Name	bit 7	bit 6	bit 5	bit 4	bit 3	bit 2	bit 1	bit 0	
0x18	Bitstream Register 0	fscod			frmsizecod					
0x19	Bitstream Register 1	bsid					bsmod			
0x1A	Bitstream Register 2	acmod			cmixlev		surmixlev		lfeon	
0x1B	Bitstream Register 3	dsurmod		copyrightb	origbs	0	0	0	0	
0x1C	Bitstream Register 4	0	0	0	dialnorm					
0x1D	Bitstream Register 5	0	0	0	dialnorm2					
0x1E	Bitstream Register 6	audprodie	mixlevel				roomtyp			
0x1F	Bitstream Register 7	audprodi2e	mixlevel2				roomtyp2			
0x20	Bitstream Register 8	timecod1e	0	timecod1						
0x21	Bitstream Register 9	timecod1								
0x22	Bitstream Register 10	timecod2e	0	timecod2						
0x23	Bitstream Register 11	timecod2								
0x24	Bitstream Register 12	langcode	langcod2e	compre	compr2e	0	0	0	0	
0x25	Bitstream Register 13	langcod								



(Registermap continued)

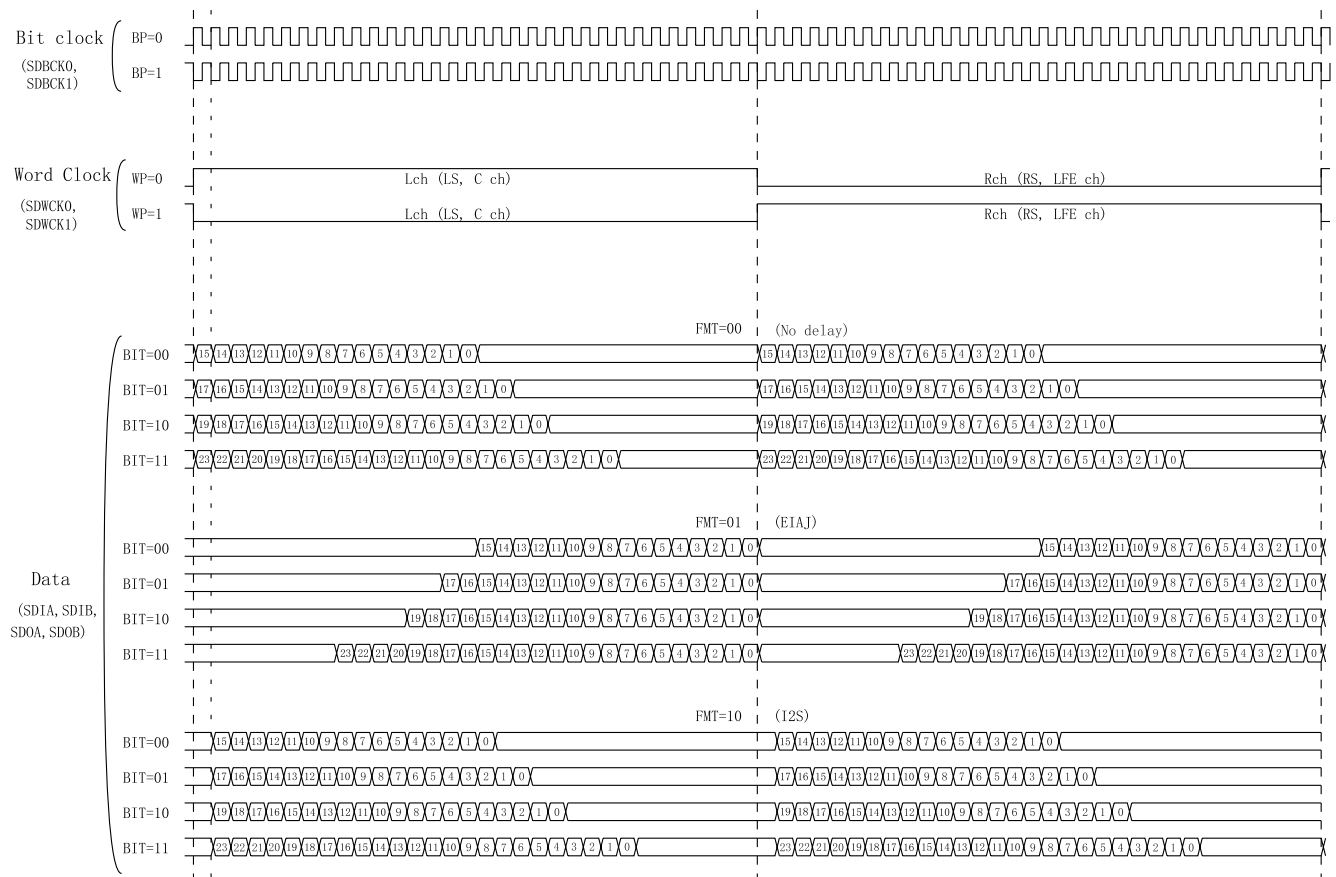
address	Name	bit 7	bit 6	bit 5	bit 4	bit 3	bit 2	bit 1	bit 0
0x26	Bitstream Register 14	langcod2							
0x27	Bitstream Register 15	compr							
0x28	Bitstream Register 16	compr2							
0x29	Bitstream Register 17	dynrng							
0x2A	Bitstream Register 18	dynrng2							
0x2B	(not used)	(write disable, all "0" out when read)							
0x2C									
0x2D									
0x2E	Data Stream Register	STREAM7	STREAM6	STREAM5	STREAM4	STREAM3	STREAM2	STREAM1	STREAM0
0x2F	Status Register	0	0	2/0MODE	SURENC	KARAOKE	MUTE	CRC	NONPCM

Address 0x06 to 0x08 and 0x37 to 0x7F are assigned for TEST. Never access to these registers.

Please refer to Application manual for details of Control register.

## ■ SERIAL DATA INTERFACE

Data timing of the serial data interface is as follows.



Please refer to Application manual for details of SDIA, SDOA, SDIB, and SDOB registers.

## ■ ELECTRICAL CHARACTERISTICS

### 1. Absolute Maximum Ratings

Parameter	Symbol	Min.	Max.	Unit
Power Supply Voltage	VDD1	V <sub>ss</sub> -0.5	V <sub>ss</sub> +7.0	V
	VDD2, AVDD	V <sub>ss</sub> -0.5	V <sub>SS</sub> +4.6	V
Input Voltage	V <sub>I</sub>	V <sub>ss</sub> -0.5	VDD1+0.5	V
Storage Temperature	T <sub>stg</sub>	-50	125	°C

### 2. Recommended Operating Conditions

Parameter	Symbol	Min.	Typ.	Max.	Unit
Power Supply Voltage	VDD1	4.75	5.0	5.25	V
	VDD2, AVDD	3.0	3.3	3.6	V
Operating Temperature	T <sub>OP</sub>	0	25	70	°C

### 3. DC Characteristics (Condition: Under Recommended Operating Conditions)

Parameter	Symbol	Condition	Min.	Typ.	Max.	Unit
Input Voltage H Level (1)	V <sub>IH1</sub>	*1	0.7V <sub>DD1</sub>			V
Input Voltage H Level (2)	V <sub>IH2</sub>	*2	2.2			V
Input Voltage L Level (1)	V <sub>IL1</sub>	*1			0.2V <sub>DD1</sub>	V
Input Voltage L Level (2)	V <sub>IL2</sub>	*2			0.8	V
Output Voltage H Level	V <sub>OH</sub>	I <sub>OH</sub> = -80 μA	V <sub>DD1</sub> -1.0			V
Output Voltage L Level	V <sub>OL</sub>	I <sub>OL</sub> = 1.6 mA			0.4	V
Input Leakage Current	I <sub>LI</sub>	Terminal without a pull-up resistor	-10		10	μA
Pull-up Resistor	R <sub>U</sub>		25		100	kΩ
Power Consumption	P <sub>D</sub>	XI=50MHz, PLL not used		120	150	mW
		V <sub>DD1</sub> (5V) V <sub>DD2</sub> (3.3V)		230	350	mW

\*1 Applicable to XI and /IC input terminals.

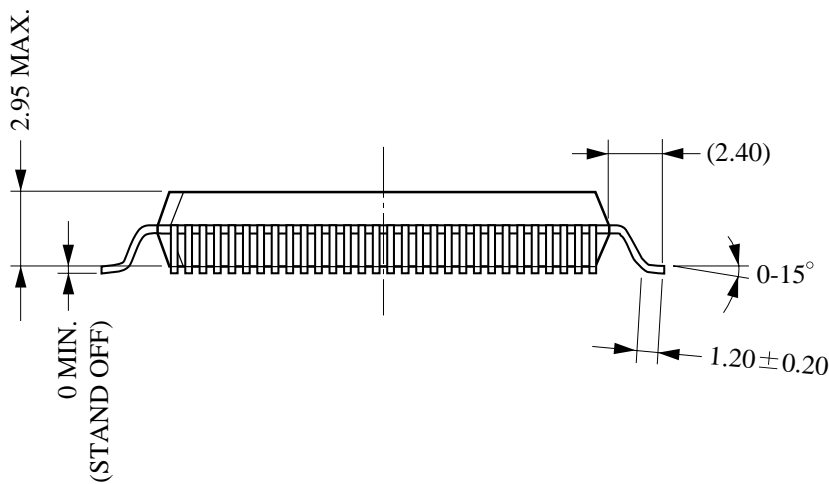
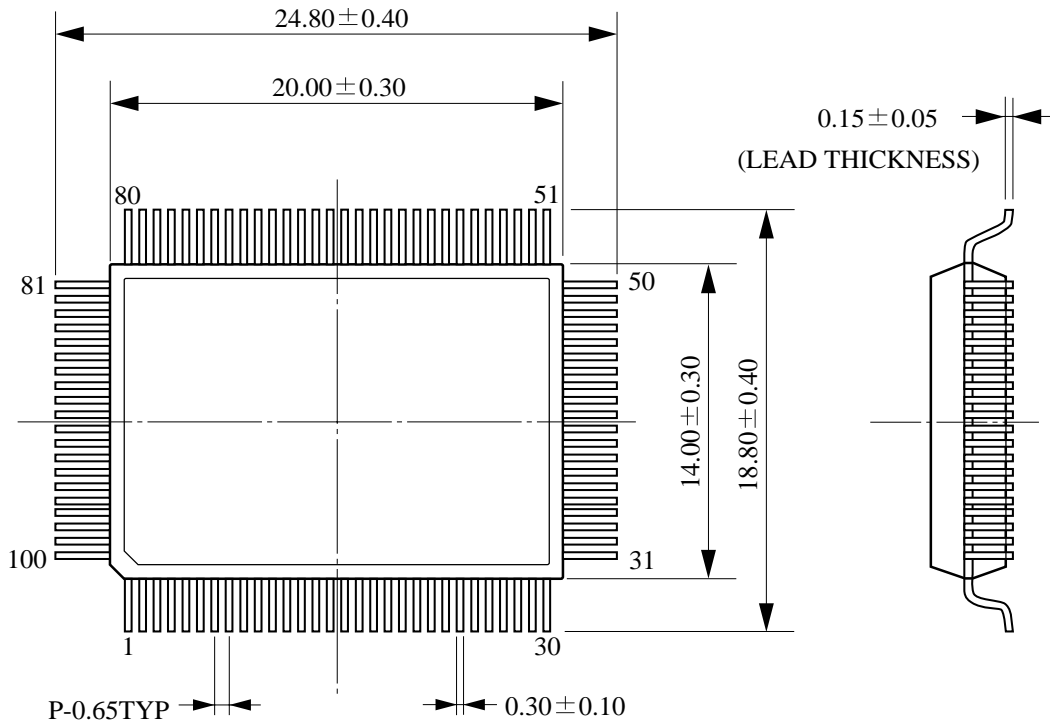
\*2 Applicable to input terminals except XI and /IC terminals.

### 4. XI

Parameter	Symbol	Conditions	Min	Typ	Max	Unit
XI clock frequency	X <sub>in</sub>		6.125		50	MHz
XI clock duty	X <sub>duty</sub>		40	50	60	%

## EXTERNAL DIMENSIONS

C-PK100FP-1



The figure in the parenthesis ( ) should be used as a reference.  
 Plastic body dimensions do not include burr of resin.  
 UNIT: mm

**IMPORTANT NOTICE**

1. Yamaha reserves the right to make changes to its Products and to this document without notice. The information contained in this document has been carefully checked and is believed to be reliable. However, Yamaha assumes no responsibilities for inaccuracies and makes no commitment to update or to keep current the information contained in this document.
2. These Yamaha Products are designed only for commercial and normal industrial applications, and are not suitable for other uses, such as medical life support equipment, nuclear facilities, critical care equipment or any other application the failure of which could lead to death, personal injury or environmental or property damage. Use of the Products in any such application is at the customer's sole risk and expense.
3. Yamaha assumes no liability for incidental, consequential, or special damages or injury that may result from misapplication or improper use or operation of the Products.
4. Yamaha makes no warranty or representation that the Products are subject to intellectual property license from Yamaha or any third party, and Yamaha makes no warranty excludes any liability to the Customer or any third party arising from or related to the Products' infringement of any third party's intellectual property rights, including the patent, copyright, trademark or trade secret rights of any third party.
5. Examples of use described herein are merely to indicate the characteristics and performance of Yamaha products. Yamaha assumes no responsibility for any intellectual property claims or other problems that may result from applications based on the examples described herein. Yamaha makes no warranty with respect to the products, express or implied, including, but not limited to the warranties of merchantability, fitness for a particular use and title.

The specifications of this product are subject to improvement changes without prior notice.

AGENCY

**YAMAHA CORPORATION**

Address inquiries to:  
Semiconductor Sales & Marketing Department

- **Head Office** 203, Matsunokijima, Toyooka-mura  
Iwata-gun, Shizuoka-ken, 438-0192  
Electronic Equipment Business section  
Tel. 81-539-62-4918 Fax. 81-539-62-5054
- **Tokyo Office** 2-17-11, Takanawa, Minato-ku,  
Tokyo, 108-8568  
Tel. 81-3-5488-5431 Fax. 81-3-5488-5088
- **Osaka Office** Namba Tsujimoto Nissei Bldg, 4F  
1-13-17, Namba Naka, Naniwa-ku,  
Osaka City, Osaka, 556-0011  
Tel. 81-6-6633-3690 Fax. 81-6-6633-3691
- **U.S.A. Office** YAMAHA Systems Technology.  
100 Century Center Court, San Jose, CA95112  
Tel. 1-408-467-2300 Fax. 1-408-437-8791