

3.96mm (0.156") PITCH CONNECTOR

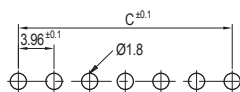
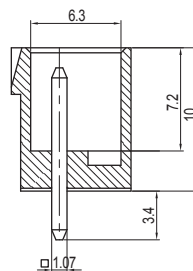
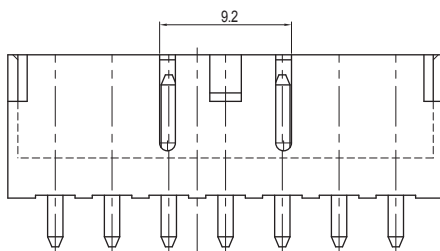
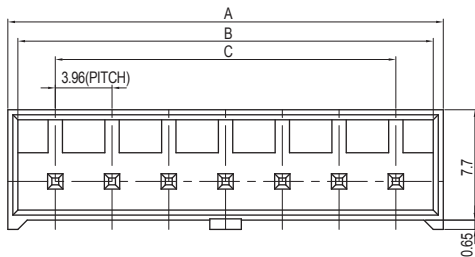
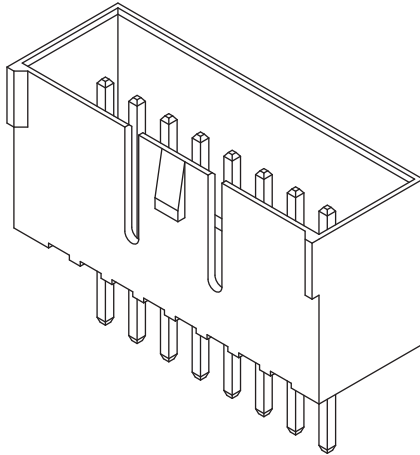


Wire-to-Board
Wafer

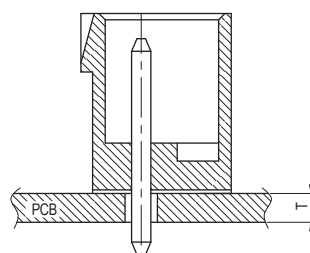
YW396-NNB

DIP

Straight



PCB LAYOUT



PCB ASSY

Material

I/NO	DESCRIPTION	TITLE	MATERIAL
1	WAFER	YW396-NNB	PA66, UL 94V Grade
2	PIN		Brass & Tin Plated

Available Pin

PARTS NO.	A	B	C
YW396-02B	10.58	9.18	3.96
YW396-03B	14.54	13.14	7.92
YW396-04B	18.5	17.1	11.88
YW396-05B	22.46	21.06	15.84
YW396-06B	26.42	25.02	19.80
YW396-07B	30.38	28.98	23.76
YW396-08B	34.34	32.94	27.72
YW396-09B	38.3	36.9	31.68
YW396-10B	42.26	40.86	35.64
YW396-11B	46.22	44.82	39.60
YW396-12B	50.18	48.78	43.56

Specification

ITEM	SPEC
Voltage Rating	AC/DC 250V
Current Rating	AC/DC 7.5A
Operating Temperature	-25°C~+85°C
Contact Resistance	30mΩ MAX
Withstanding Voltage	AC500V/1min
Insulation Resistance	500MΩ MIN
Applicable Wire	-
Applicable P.C.B	1.2mm~1.6mm
Applicable FPC/FFC	-
Solder Height	-
Crimp Tensile Strength	-
UL FILE NO	-

Application Housing : YH396-NNB